

AllSome Sequence Bloom Trees

Chen Sun^{*1}, Robert S. Harris^{*2} Rayan Chikhi³, and Paul Medvedev^{†1,4,5}

¹ Department of Computer Science and Engineering, The Pennsylvania State University, USA

² Department of Biology, The Pennsylvania State University, USA

³ CNRS, CRIStAL, University of Lille, France

⁴ Department of Biochemistry and Molecular Biology, The Pennsylvania State University, USA

⁵ Genome Sciences Institute of the Huck, The Pennsylvania State University, USA

*C.S. and R.S.H. contributed equally to the work.

† to whom correspondence should be addressed: pashadag@cse.psu.edu

Abstract. The ubiquity of next generation sequencing has transformed the size and nature of many databases, pushing the boundaries of current indexing and searching methods. One particular example is a database of 2,652 human RNA-seq experiments uploaded to the Sequence Read Archive. Recently, Solomon and Kingsford proposed the Sequence Bloom Tree data structure and demonstrated how it can be used to accurately identify SRA samples that have a transcript of interest potentially expressed. In this paper, we propose an improvement called the AllSome Sequence Bloom Tree. Results show that our new data structure significantly improves performance, reducing the tree construction time by 52.7% and query time by 39 - 85%. Notably, it can query a batch of 198,074 queries in under 8 hours (compared to around two days previously) and a whole set of k -mers from a sequencing experiment (about 27 mil k -mers) in under 11 minutes.

Keywords: sequence Bloom trees, Bloom filters, RNA-seq, data structures, algorithms, bioinformatics

1 Introduction

Data structures for indexing and searching of databases have always been a core contribution of algorithmic bioinformatics to the analysis of biological data and are the building blocks of many popular tools [23]. Traditional databases may include reference genome assemblies, collections of known gene sequences, or reads from a single sequencing experiment. However, the ubiquity of next generation sequencing has transformed the size and nature of many databases. Each sequencing experiment results in a collection of reads (gigabytes in size), typically deposited into a database such as the Sequence Read Archive (SRA) [19]. There are thousands of experiments deposited into the SRA, creating a database of unprecedented size in genomics (4 petabytes, as of 2016). The SRA enables public access of the database via meta-data queries on the experiments name, type, organism, etc. However, efficiently querying the raw read sequences of the database has remained out of reach for today’s indexing and searching methods, until earlier this year [36].

Given a transcript of interest, an important problem is to identify all publicly available sequenced samples which express it. The SRA contains thousands of human RNA-seq experiments, providing a powerful database to answer this question. One approach is to use tools such as [38, 32, 4] to first identify transcripts present in each of the experiments; however, running these tools on a massive scale is time prohibitive (though cloud-enabled tools like Rail-RNA [31] are making inroads). Moreover, they introduce biases and can easily miss a transcript that is supported by the reads. Another approach is to align the SRA reads to the transcript of interest; however, this approach is infeasible for such large datasets [36].

Recently, Solomon and Kingsford proposed the Sequence Bloom Tree (SBT) data structure and demonstrated how it can accurately identify samples that may have the transcript of interest expressed in the read data [36]. SBT was a breakthrough, allowing to query a set of 214,293 transcripts against a database of 2,652 human RNA-seq experiments in just under 4 days. The SBT is not intended to replace more thorough methods, like alignment, but is intended to be complementary, narrowing down the set of experiments for which a more rigorous investigation is needed.

In this paper, we present the AllSome Sequence Bloom Tree (SBT-ALSO), a time and space improvement on the original SBT (denoted by SBT-SK). It combines three new ideas. The first one is a better construction algorithm based on clustering. The second one is a different representation of the internal nodes of the tree so as to allow earlier pruning and faster exploration of the search space. The final one is building a Bloom filter on the query itself. This allows quick execution of queries that are not just transcripts but are themselves large sequencing experiments.

We evaluate SBT-ALSO on the database of 2,652 human RNA-seq sequencing runs used in [36]. SBT-ALSO reduces tree construction time by 52.7%, when given the Bloom filters of the datasets. It reduces query time by 39 - 85%. Notably, it can query a batch of 198,074 queries in under 8 hours, compared to over two days for SBT-SK. It can also query a whole set of k -mers from a sequencing experiment (about 27 mil k -mers) in under 11 minutes, compared to more than 23 hours by SBT-SK. Our software is open source and freely available via GitHub¹.

2 Related Work

This work falls into the general category of string pattern matching, where we are asked to locate all occurrences of a short pattern in a large text [14]. In many cases, it is useful to pre-process the

¹SBT-ALSO GitHub repository: <https://github.com/medvedevgroup/bloomtree-allsome>

text to construct an index that will speed up future queries. The k -mer-index, trie, suffix tree, suffix array, BWT, and FM-index are examples of such indices [23]. These form the basis of many read alignment tools such as BWA-mem [20] and Bowtie 2 [18]. While many of these approaches are space and time efficient in their intended setting, they can nevertheless be infeasible on terabyte or petabyte scale data. Other approaches based on word-based indices [30, 40] and compressive genomics [22, 9, 39] do not help for the type of data and queries we consider in this paper.

A Bloom filter (BF) is widely used to improve scalability by determining whether the pattern occurs in the text, without giving its location. It is a space efficient data structure for representing sets that occasionally provides false-positive answers to membership queries [3]. For pattern matching, a BF can be constructed for all the constituent k -mers (strings of length of k) of the text. Then, if a high percentage of a pattern's constituent k -mers match, the text is a potential match and a full search can be performed. BFs are used in several bioinformatics contexts such as assembly [27, 6, 35, 15], to index and compress whole genome datasets [34], and to compare sequencing experiments against whole genomes [37].

When pattern matching against a database of read collections from sequencing experiments, additional factors need to be considered. First, the reads contain sequencing errors. Second, they only represent short fragments of the underlying DNA and are typically much shorter than the pattern. Third, there are many texts, each of which is its own sequencing experiment. The goal is to identify all texts that match the pattern. A simple way to adapt the BF idea to this case is to simply build a BF for every text and check the pattern separately against every text's BF. A more sophisticated approach builds a tree to index the collection of BFs [8]. This Bloofi data structure was introduced in the context of distributed data provenance, but it was later adapted to the bioinformatics setting by Solomon and Kingsford in [36].

An orthogonal approach is the Bloom Filter Trie (BFT) [16], which works similarly to a trie on the k -mers in all the texts. Each leaf contains a bitvector describing the texts in which that k -mer appears, and BFs are cleverly used inside the trie to "jump down" ℓ positions at a time, thus speeding up the trie traversal process. The BFT complexity scales up with the number of k -mers in the query, while SBT complexity scales up with the number of datasets. Thus the two approaches suggest orthogonal use cases. In particular, the BFT is very efficient for queries that are single k -mers, significantly outperforming the SBT. An approach that uses BFT to query longer patterns like the ones we consider in this paper is promising but is not yet available.

There is also a body of work about storing and indexing assembled genomes [21, 28, 2, 26, 12], which is part of the growing field of pangenomics [7]. However, our work relates to the indexing of unassembled data (i.e. reads) as opposed to complete genomes. In addition to the topics specifically mentioned above, there are other studies related to scaling up indexing methods [25, 11], though the list here is in no way complete.

3 Technical Background

Terminology: Let x and y be two bitvectors of the same length. The bitwise AND (i.e. intersection) between x and y is written as $x \cap y$, and the bitwise OR (i.e. union) is $x \cup y$. A bitvector can be viewed as a set of positions set to 1, and this notation is consistent with the notion of set union and intersection. The set difference of x and y is written as $x \setminus y$ and can be defined as $x \setminus y = x \text{ AND } (\text{NOT } y)$. A *Bloom filter* (BF) is a bitvector of length b , together with p hash functions, h_1, \dots, h_p , where b and p are parameters. Each hash function maps a k -mer to an integer

between 0 and $b - 1$. The empty set is represented as an array of zeros. To add a k -mer x to the set, we set the position $h_i(x)$ to 1, for all i . To check if a k -mer x is in the set, we check that the position $h_i(x)$ is 1, for all i . In this paper, we assume that the number of hash functions is 1 (see Section 6 for a discussion). Next, consider a rooted binary tree. The parent of a non-root node u is denoted as $parent(u)$, and the set of all the leaves of the subtree rooted at a node v is denoted by $leaves(v)$. Let $lchild(u)$ and $rchild(u)$ refer to the left and right children of a non-leaf node u , respectively.

SBT: Let Q be a non-empty set of k -mers, and let B be a k -mer BF. Given $0 \leq \theta \leq 1$, we say that Q θ -matches B if $|\{x \in Q : x \text{ exists in } B\}|/|Q| \geq \theta$. That is, the percentage of k -mers in Q that are also in B (including false positive hits) is at least θ . Solomon and Kingsford consider the following problem. We are given a database $D = \{D_1, \dots, D_n\}$, where each D_i is a BF of size b . The query is a k -mer set Q , and the result of the query should be the set $\{i : Q \theta\text{-matches } D_i\}$. The goal is to build a data structure that can construct an index on D to support multiple future queries.

We make a distinction between the abstract data type that Solomon and Kingsford propose for the problem and their implementation of it. We call the first SBT, and the second SBT-SK (note that in [36] no distinction is made and SBT refers to both). A rooted binary tree is called a *Sequence Bloom Tree* (SBT) of a database D if there is a bijection between the leaf nodes and the elements of D . Define $B_{\cup}(u)$ for a leaf node u as its associated database element and $B_{\cup}(u)$ for an internal node as $\bigcup_{i \in leaves(u)} B_{\cup}(i)$. Note that $B_{\cup}(u)$ of an internal node u can be equivalently defined as $B_{\cup}(lchild(u)) \cup B_{\cup}(rchild(u))$. Each node u then represents the set of database entries corresponding to the descendant leaves of u . Additionally, the SBT provides an interface to construct the tree from a database, to query a k -mer set against the database, and to insert/delete a BF into/from the database. An example of an SBT is shown in Figure 2.

SBT-SK: We call the implementation of the SBT interface provided in [36] as SBT-SK. In SBT-SK, each node u is stored as a compressed version of $B_{\cup}(u)$. The compression is done using RRR [33] implemented in SDSL [13], which allows to efficiently test whether a bit is set to 1 without decompressing the bitvector. To *insert* a BF B into a SBT T , SBT-SK does the following. If T is empty, it just adds B as the root. Otherwise, let r be the root. If r is a leaf, then add a new root r' that is the parent of B and r and set $B_{\cup}(r') = B_{\cup}(r) \cup B$. Otherwise, take the child v of r that has the smallest Hamming distance to B , recursively insert B in the subtree rooted at v , and update $B_{\cup}(r)$ to be $B_{\cup}(r) \cup B$. Note that because RRR compressed bitvectors do not support bitwise operations, each bitvector must be first decompressed before bitwise operations are performed and then recompressed if any changes are made. The running time of an insertion is proportional to the depth of the SBT. To *construct* the SBT for a database, SBT-SK starts with an empty tree and inserts each element of the database one-by-one. Construction can take time proportional to nd , where d is the depth of the constructed SBT. The left panel of Figure 1 provides an example of the construction algorithm. To *query* the database for a k -mer set Q , SBT-SK first checks the if Q θ -matches the root. If yes, then it recursively queries the children of the root. When the query hits a leaf node, it returns the leaf if Q θ -matches it.

Since SBT is designed to work on very large databases, its implementation should avoid loading the database into memory. In SBT-SK, each $B_{\cup}(u)$ is stored on disk and only loaded into memory when u is being θ -matched by a query. When there are multiple queries to be performed, SBT-SK will *batch* them together so that the θ -matching of multiple queries to the same node will be

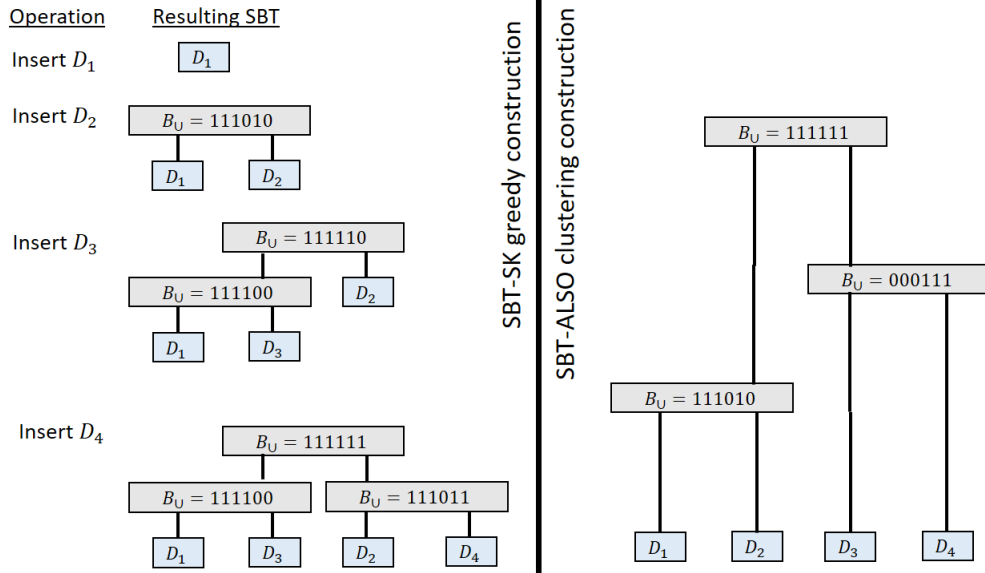


Fig. 1. Example of the SBT-SK and SBT-ALSO construction algorithms for the database $D = \{D_1 = 111000, D_2 = 111010, D_3 = 000100, D_4 = 000011\}$. Leaves shown in blue, internal nodes in gray. In this example, the dataset can be partitioned into two types: 000xxx and 111xxx, based on the first 3 bits. In the SBT-SK construction, after the first two experiments are inserted (both of type 111xxx), they are destined to be in the two different sides of the tree (regardless of future insertions). Any future 111xxx type query will have to examine all the nodes. The SBT-ALSO construction, on the other hand, groups together the experiments so that future 000xxx type or 111xxx type queries will have to examine only about half the nodes of the tree.

performed simultaneously. Hence, each node needs to be loaded into memory only once per batch. We implement the same strategy in SBT-ALSO.

4 Methods

We propose the AllSome SBT as an alternative implementation of the SBT abstract data type. In this section, we describe the construction and query algorithms. Insertion and deletion algorithms are the same as in SBT-SK, though some special care is needed. For completeness, we describe these in Appendices A.1 and A.2.

4.1 ALLSOME node representation and regular query algorithm

Define the intersection of leaves in the subtree rooted at a node u as $B_{\cap}(u) = \bigcap_{i \in \text{leaves}(u)} B_{\cup}(i)$. Intuitively, we can partition the 1 bits of $B_{\cup}(u)$ into three sets: $B_{\text{all}}(u)$, $B_{\text{some}}(u)$, and $B_{\cap}(\text{parent}(u))$. $B_{\text{all}}(u)$ are the bits that appear in all of $\text{leaves}(u)$, excluding those in all of $\text{leaves}(\text{parent}(u))$. $B_{\text{some}}(u)$ are the bits in some of $\text{leaves}(u)$ but not in all. Both sets therefore exclude bits present in $B_{\cap}(\text{parent}(u))$. Formally, define

$$B_{\text{all}}(u) = B_{\cap}(u) \setminus B_{\cap}(\text{parent}(u))$$

$$B_{\text{some}}(u) = B_{\cup}(u) \setminus B_{\cap}(u)$$

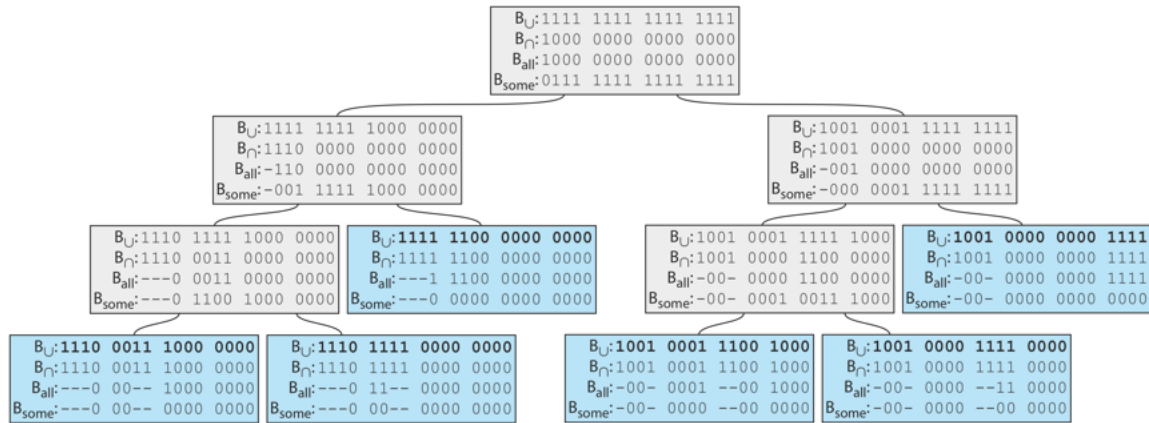


Fig. 2. Example SBT on $D = \{1110001110000000, 1110111100000000, 1111110000000000, 1001000111001000, 1001000011110000, 1001000000001111\}$. Leaves shown in blue, internal nodes in gray. In SBT-ALSO, only B_{all} and B_{some} are explicitly stored, while in SBT-SK, only B_U is stored. Bits present in B_{all} at one node are shown as hyphens('-') in the B_{all} and B_{some} of its descendants, but in the actual SBT-ALSO data structure they are zeros.

At the root r , define $B_{\cap}(parent(r)) = \emptyset$. $B_{all}(u)$ and $B_{some}(u)$ are stored using two bitvectors of size b compressed with RRR. $B_U(u)$ and $B_{\cap}(u)$ are not explicitly stored. We refer to this representation of the nodes using B_{all} and B_{some} as the ALLSOME representation (Figure 2 gives an example).

When we receive a query k -mer set Q , we hash each k -mer to determine the list of BF bits corresponding to Q . These are a multi-set of position indices (between 0 and $b-1$), stored as an array. We call these the list of *unresolved* bit positions. We also maintain two counters: the number of bit positions that have been determined to be 1 (*present*), and the number of bit positions determined to be 0 (*absent*). These counters are both initially 0. The query comparison then proceeds in a recursive manner. When comparing Q against a node u , each unresolved bit position that is 1 in $B_{all}(u)$ is removed from the unresolved list and the present counter is incremented. Each unresolved bit position that is 0 in $B_{some}(u)$ is removed from the unresolved list and the absent counter is incremented. If the present counter is at least $\theta|Q|$, we add $leaves(u)$ to the list of θ -matches and terminate the search of u 's subtree. If the absent counter exceeds $(1 - \theta)|Q|$, we realize that Q will not θ -match any of the leaves in the subtree rooted at u and terminate the search of u 's subtree. If neither of these holds, we recursively pass the two counters and the list of unresolved bits down to its children. When we reach a leaf, the unresolved list will become empty because B_{some} is empty at a leaf, and the algorithm will necessarily terminate.

The idea behind the ALLSOME representation is that in a database of biologically associated samples, there are many k -mers that are shared between many datasets. In the SBT-SK representation, a query must continue checking for the presence of these k -mers at every node that it encounters. By storing at u all the bits that are present in all the leaves of its subtree, we can count those bits as resolved much earlier in the query process – limiting the amount of bit lookups performed. Moreover, we will often prune the search space earlier and decrease the number of bitvectors that need to be loaded from disk. A query that matches all the leaves of a subtree can often be resolved after just examining the root of that subtree. In the extreme case, the number of nodes examined in a search may be less than the number of database entries that are matched.

A second important point is that the size of the uncompressed bitvectors at each node is now twice as large as before. Because query time has a large I/O component, this has potential negative

effects. Fortunately, we observe that the compressed size of these bitvectors is roughly proportional to the number of 1s that are contained. By defining the ALLSOME representation as we do, the number of 1s in total in $B_{all}(u)$ and $B_{some}(u)$ is no more than the number of ones in $B_{\cup}(u)$. Moreover, because we exclude $B_{\cap}(u)$ from all of u 's descendants, the number of 1s is actually less.

4.2 Construction algorithm

Except for large queries or large batches of queries, the running time of the query algorithm is dominated by the I/O of loading bitvectors into memory [36]. If the number of leafs that the query θ -matches is localized within the same part of the SBT, then fewer internal nodes have to be explored and, hence, fewer bitvectors have to be loaded into memory. The SBT-SK construction algorithm is greedy and sensitive to the order in which the entries are inserted into the tree, which can lead to trees with poor localization (see example in Figure 1).

To improve the localization property of the tree, we propose a non-greedy construction method based on agglomerative hierarchical clustering [10]. Every D_i is initially its own SBT, with its B_{\cup} loaded into memory. At every step, two SBTs are chosen and joined together to form a new SBT. The new SBT has a root node r with the left and right subtrees corresponding to the two SBTs being joined. $B_{\cup}(r)$ is computed as $B_{\cup}(lchild(r)) \cup B_{\cup}(rchild(r))$. To choose the pair of SBTs to be joined, we choose the two SBTs that have the smallest Hamming distance between the B_{\cup} of their roots. The right panel of Figure 1 shows how our construction algorithm works.

Since each B_{\cup} is a large bitvector, computing and maintaining the pairwise distances between all pairs is computationally expensive. Instead, we use the following heuristic. We fix a number $b' \ll b$ (e.g. $b' = 10^5 \ll 10^9 = b$) and then extract b' bits from each D_i , starting from a fixed but arbitrary offset. We then run the above clustering algorithm on this smaller database of extracted bitvectors.

The resulting topology is then extracted and used for constructing the B_{all} and B_{some} bitvectors for all the nodes. We process the nodes in a bottom-up fashion. Initially, for all leaves u , we set $B_{all}(u) = B_{\cup}(u)$ and $B_{some}(u) = \emptyset$. For the general case, consider an internal node u whose children ℓ and r have already been processed. All bits that are set in both $B_{all}(\ell)$ and $B_{all}(r)$ go into $B_{all}(u)$:

$$B_{all}(u) = B_{all}(\ell) \cap B_{all}(r)$$

Additionally, the B_{all} bits of ℓ and r must exclude those that are set in the parent $B_{all}(u)$. After computing $B_{all}(u)$, we can unset these bits:

$$B_{all}(v) = B_{all}(v) \setminus B_{all}(u), \text{ where } v \in \{\ell, r\}. \quad (1)$$

Note that this is the only necessary update to the bitvectors of nodes in the subtree rooted in ℓ or r . Next, we must compute $B_{some}(u)$, which is the set of bits that exist in some of u 's children nodes but not all:

$$B_{some}(u) = B_{some}(\ell) \cup B_{some}(r) \cup B_{all}(\ell) \cup B_{all}(r)$$

Note that here we are using the B_{all} after the application of Equation (1). This completes the necessary updates to the tree for a node u . These updates can be efficiently computed using bitwise operations on uncompressed bitvectors, so we keep them uncompressed in memory and only compress them when they are written to disk and are no longer needed. The total time for construction is proportional to n and not to nd , as with SBT-SK. For completeness, we provide a more formal algebraic derivation of the update formulas in Appendix A.3

4.3 Large query algorithm

The “regular query” algorithm (Section 4.1) is designed with relatively small queries in mind (e.g. thousands of k -mers from a transcript). However, after performing a new sequencing experiment, it might be desirable to query the database for other similar samples. In such cases, the query would itself be a whole sequencing experiment, containing millions of k -mers. Our experimental results show that neither SBT-SK nor our own regular query algorithm is efficient for these large queries.

While for small queries, the running time is dominated by the I/O of loading bitvectors into memory, for large queries, the time taken to look up the query k -mers in the B_{all} and B_{some} of a node becomes the bottleneck. Let B_Q be the Bloom filter of size b for the k -mers in the query Q . We propose an alternate “large query” algorithm that can be used whenever the number of k -mers in the query exceeds some pre-defined user threshold. This large query algorithm is identical to the regular one except in the way that the unresolved list is maintained and updated. The basic idea is that instead of checking each k -mer in Q one-by-one, we can do bitwise comparisons using B_Q . Assume for the moment that there are no two k -mers in Q that hash to the same position (recall that our BFs have only one hash function). In this case, the list of unresolved bit positions can be represented as the set of 1 positions in B_Q . At a node u , we first increment the *present* counter by the number of ones in $B_Q \cap B_{all}(u)$ and update the unresolved bit positions to be $B'_Q = B_Q \setminus B_{all}(u)$. Then we increment the *absent* counter by the number of ones in $B'_Q \setminus B_{some}(u)$ and update the unresolved bit positions to be $B''_Q = B'_Q \cap B_{some}(u)$. If the counters do not exceed their respective thresholds, then we pass them and the remaining unresolved bits (B''_Q) down to the children.

When there are k -mers that hash to the same bit positions, the above algorithm can still be used as a heuristic. We can obtain an exact algorithm by modifying the above to also maintain a list of bit positions that have multiple k -mers hashing to them. An entry of the list is a bit position and the number of k -mers that hash to it. Whenever we make a bitwise comparison involving B_Q , this list is scanned to convert numbers of bits to numbers of k -mers. When the list is small, this exact algorithm should not be significantly slower than the heuristic one.

Unfortunately, computing bitwise operations cannot be efficiently done on RRR compressed bitvectors. To support the large query algorithm, the bitvectors are compressed using the Roaring [5] scheme (abbreviated ROAR). Roaring bitmaps are compressed using a hybrid technique that allows them to efficiently support set operations on bitvectors (intersection, union, difference, etc). However, we found that they generally do not compress as well as RRR on our data, leading to longer I/O times. In cases where both small and large queries are common, and query time is more important than disk space, both a ROAR and an RRR compressed tree can be maintained.

5 Results

We implemented SBT-ALSO, building on the SBT-SK code base [1]. Solomon and Kingsford already explored the advantages, disadvantages and accuracy of the SBT approach as a way of finding experiments where the queried transcripts are expressed [36]. Since SBT-ALSO gives identical query results as SBT-SK, we therefore focus our evaluation on its resource utilization. We used the same dataset for evaluation as in [36]. This is the set of 2,652 runs representing the entirety (at the time of [36]) of human RNA-seq runs from blood, brain, and breast tissues at the SRA, excluding those sequenced with SOLID. In [36], each sequencing run was converted to a k -mer Bloom filter ($b = 2 \cdot 10^9$, $k = 20$) by the Jellyfish k -mer-counting software (excluding k -mers of abundance < 3). We downloaded these BFs from [1] and used them as our database. We performed

experiments on an OpenStack instance with 12 vCPUs (Intel Xeon E312xx), 128 GB memory, and 4 TB network-mounted disk storage.

To choose the appropriate number of bits to use for clustering (b'), we randomly sampled 5,000 bitvector pairs from the dataset and computed their pairwise distances. We then computed distances for the same pairs using only b' bits, for various values of b' . The two distance metrics showed a high correlation ($r^2 = 0.9999874$) for $b' = 500,000$.

We then constructed SBT-SK and SBT-ALSO, as well as two other trees to help us separate out the contributions of the clustering algorithm from the ALLSOME representation. These two trees are SBT-SK+CLUST, which uses the B_{\cup} node representation of SBT-SK but the SBT-ALSO clustering construction, and SBT-SK+AS, which uses the greedy construction of SBT-SK but the ALLSOME node representation of SBT-SK.

First, we compared the space and time used to construct SBT-SK and SBT-ALSO (Table 1). SBT-ALSO reduces the tree construction time by 52.7% and resulting disk space by 11.4%. It requires twice as much intermediate space, due to maintaining two uncompressed bitvectors for each node instead of just one.

To study the regular query performance, we downloaded all known transcripts at least k bases long (198,074 of them) from Gencode (ver. 25). We then queried several subsets of transcripts against both trees, and measured the number of nodes examined for each query (Figure 3) as well as the running time (Table 2). The results of all query experiments in this paper were verified to be equivalent between the tested data structures. SBT-ALSO reduces the runtime by 39 - 85%, depending on the size of the batch, likely due to the fact that the number of nodes examined per query is reduced by 52.7%, on average. Notably, SBT-ALSO was able to query a very large batch (198,074 queries) in under 8 hours, while SBT-SK took over 2 days. SBT-ALSO uses more memory than SBT-SK on larger batches.

	SBT-SK	SBT-ALSO
construction of tree topology (i.e. clustering)	N/A	27m
construction of internal nodes	56h 54m	26h 3m
temporary disk space	1,235 GB	2,469 GB
final disk space	200 GB	177 GB

Table 1. Construction time and space. Times shown are wall-clock times. A single thread was used. Note the SBT-SK tree that was constructed for the purposes of this Table differs from the tree used in [36] and in our other experiments because the insertion order during construction was not the same as in [36] (because it was not described there).

To study the performance of the large query algorithm, we selected an arbitrary run from our database (SRR806782) and used Jellyfish [24] to extract all 20-mers that appear at least three times. These 27,546,676 k -mers formed one query. In heuristic mode, the large query algorithm was 22 times faster than the regular one, but only detected 47 of the 50 hits (Table 3). In the exact mode, the large query algorithm recovered all the hits (as expected) and was 18 times faster. Compared to SBT-SK, it was 155 times faster.

The clustering construction, even without the ALLSOME representation, significantly reduces the number of nodes that need to be examined per query (36.5% on average when comparing SBT-SK to SBT-SK+CLUST in Figure 3). The improvement seems to be uniform regardless

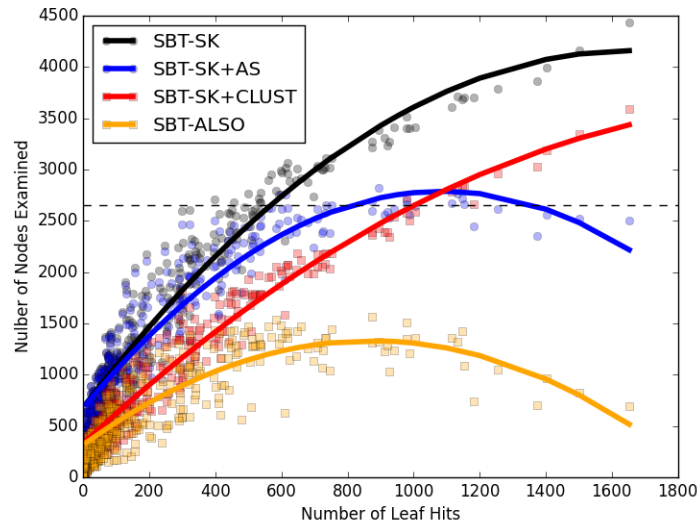


Fig. 3. Number of nodes examined per query for SBT-SK, SBT-ALSO, as well two intermediate SBTs. A set of 1,000 transcripts were chosen at random from Gencode set, and each one queried against the four different trees. A dot represents a query and shows the number of matches in the database (x-axis) compared to the number of nodes that had to be loaded from disk and examined during the search (y-axis). For each tree (color), we interpolated a curve to show the pattern. The dashed horizontal line represents the hypothetical algorithm of simply checking if the query θ -matches against each of the database entries, one-by-one. For θ , we used the default value in the SBT software ($\theta = 0.9$).

	SBT-SK	SBT-SK+CLUST	SBT-ALSO
1 query	1m 11s / 301 MB	56s / 299 MB	34s / 301 MB
10 queries	4m 4s / 305 MB	3m 17s / 304 MB	2m 4s / 313 MB
100 queries	7m 44s / 315 MB	6m 31s / 317 MB	4m 44s / 353 MB
1,000 queries	25m 31s / 420 MB	17m 22s / 418 MB	8m 23s / 639 MB
198,074 queries	3081m 42s / 22 GB	-	462m 39s / 63 GB

Table 2. Query wall-clock run times and maximum memory usage, for batches of different sizes. For the batch of 1,000 queries, we used the same 1,000 queries as in Figure 3. For the batch of 100 queries, we generated three replicate sets, where each set contains 100 randomly sampled transcripts without replacement from the 1,000 queries set. For the batch of 10 queries, we generated 10 replicate sets by partitioning one of the 100 query sets into 10 sets of 10 queries. For the batch of 1 query, we generated 50 replicate sets by sampling 50 random queries from Gencode set. The shown running times are the averages of these replicates. A dash indicates we did not run the experiment. For θ , we used the default value in the SBT software ($\theta = 0.9$).

	SBT-SK	SBT-ALSO		
	regular alg	regular alg	large exact alg	large heuristic alg
query time	1397m 18s	195m 33s	10m 35s	8m 32s
query memory	2.3 GB	4.7 GB	1.3 GB	1.2 GB

Table 3. Performance of different trees and query algorithms on a large query. We show the performance of SBT-SK and three query algorithms using SBT-ALSO compressed with ROAR: the regular algorithm, the large exact algorithm, and the large heuristic algorithm. We show the wall-clock run time and maximum RAM usage. We used $\theta = 0.8$ for this experiment. The ROAR compressed tree was 190 GB (7.3% larger than the RRR tree).

of the number of leaf hits. As expected, this leads a significant improvement to the running time (19-32%, Table 2). The ALLSOME representation, without the clustering construction, also gives the benefit of allowing earlier query resolution, but the effect only becomes pronounced for queries that hit a lot of leaves. For instance, queries that hit more than 800 leaves examined 27.4% less nodes in SBT-SK+AS than in SBT-SK. In the extreme case, there are seven queries out of 1,000 where the number of nodes examined is less than the number of leaf hits, something that is not possible with SBT-SK. However, we note that the benefits of clustering construction and ALLSOME representation are synergistic: the multiplicative effect of their individual contributions (42.3% decrease in number of examined nodes) is less than the observed effect of their combined contributions (52.7%).

6 Discussion

In this paper we present an alternate implementation of the SBT that provides substantial improvements in query and construction time. We are especially effective for large batches of queries (6 times faster) or for large queries (155 times faster). Solomon and Kingsford make a convincing case that an efficient SBT implementation translates to an efficient and accurate solution to the broader problem of identifying RNA-seq samples that express a transcript of interest. They study the best parameter values of SBT (θ, k, b, p) to achieve accuracy and speed for the broader problem. The focus of this paper is on improving resource performance, and hence we do not revisit these questions, however, a more thorough exploration of the biological questions that the SBT can answer will be important moving forward.

The implications of using the SBT for queries which are themselves sequencing experiments were not explored in SBT-SK or here. The BFT [16], if adapted to multi- k -mer queries with θ -matching, could prove to be powerful in this context. In general, the question of whether the percentage of matching k -mers is a good metric for comparing sequencing experiments is still open, and more investigation into how to best measure similarity is needed (e.g. see [29]). However, our large query algorithm opens the door for efficiently exploring the parameter space of k -mer-based approaches.

In contrast to SBT-SK, we do not currently support multiple hash functions. For the type of application considered in this paper, [36] demonstrated that one hash function is optimal. Yet, there may be other applications where multiple hash functions offer advantages. This may make SBT-ALSO, in its current state, less broadly applicable than SBT-SK. However, multiple hash functions could be implemented within the ALLSOME representation using partitioned Bloom filters (where each hash function maps to a different bit array) [17]. This remains as future work.

References

1. SBT-SK software and data. <http://www.cs.cmu.edu/%7Eeckingsf/software/bloomtree/>. Accessed: 2016-07-01.
2. Uwe Baier, Timo Beller, and Enno Ohlebusch. Graphical pan-genome analysis with compressed suffix trees and the Burrows–Wheeler transform. *Bioinformatics*, page btv603, 2015.
3. Burton H Bloom. Space/time trade-offs in hash coding with allowable errors. *Communications of the ACM*, 13(7):422–426, 1970.
4. Nicolas L Bray, Harold Pimentel, Páll Melsted, and Lior Pachter. Near-optimal probabilistic RNA-seq quantification. *Nature biotechnology*, 34(5):525–527, 2016.
5. Samy Chambi, Daniel Lemire, Owen Kaser, and Robert Godin. Better bitmap performance with roaring bitmaps. *Software: practice and experience*, 46(5):709719, 2015.
6. Rayan Chikhi and Guillaume Rizk. Space-efficient and exact de Bruijn graph representation based on a Bloom filter. *Algorithms for Molecular Biology*, 8(1):1, 2013.
7. Computational Pan-Genomics Consortium et al. Computational pan-genomics: status, promises and challenges. *Briefings in Bioinformatics*, page bbw089, 2016.
8. Adina Crainiceanu and Daniel Lemire. Bloofi: Multidimensional Bloom filters. *Information Systems*, 54:311–324, 2015.
9. Noah M Daniels, Andrew Gallant, Jian Peng, Lenore J Cowen, Michael Baym, and Bonnie Berger. Compressive genomics for protein databases. *Bioinformatics*, 29(13):i283–i290, 2013.
10. Michiel JL de Hoon, Seiya Imoto, John Nolan, and Satoru Miyano. Open source clustering software. *Bioinformatics*, 20(9):1453–1454, 2004.
11. Dirk-Dominic Dolle, Zhicheng Liu, Matthew L Cotten, Jared T Simpson, Zamin Iqbal, Richard Durbin, Shane McCarthy, and Thomas Keane. Using reference-free compressed data structures to analyse sequencing reads from thousands of human genomes. *bioRxiv*, page 060186, 2016.
12. Corinna Ernst and Sven Rahmann. PanCake: A data structure for pangenomes. In *German Conference on Bioinformatics*, volume 34, pages 35–45, 2013.
13. Simon Gog, Timo Beller, Alistair Moffat, and Matthias Petri. From theory to practice: Plug and play with succinct data structures. In *International Symposium on Experimental Algorithms*, pages 326–337. Springer, 2014.
14. Dan Gusfield. *Algorithms on Strings, Trees and Sequences: Computer Science and Computational Biology*. Cambridge University Press, 1997.
15. Yun Heo, Xiao-Long Wu, Deming Chen, Jian Ma, and Wen-Mei Hwu. BLESS: Bloom filter-based error correction solution for high-throughput sequencing reads. *Bioinformatics*, page btu030, 2014.
16. Guillaume Holley, Roland Wittler, and Jens Stoye. Bloom filter trie—a data structure for pan-genome storage. In *Algorithms in Bioinformatics*, pages 217–230. Springer, 2015.
17. Adam Kirsch and Michael Mitzenmacher. Less hashing, same performance: Building a better Bloom filter. *Random Structures & Algorithms*, 33(2):187–218, 2008.
18. Ben Langmead and Steven L Salzberg. Fast gapped-read alignment with Bowtie 2. *Nature methods*, 9(4):357–359, 2012.
19. Rasko Leinonen, Hideaki Sugawara, and Martin Shumway. The sequence read archive. *Nucleic acids research*, page gkq1019, 2010.
20. Heng Li. Aligning sequence reads, clone sequences and assembly contigs with BWA-MEM. *arXiv preprint arXiv:1303.3997*, 2013.
21. Bo Liu, Dixian Zhu, and Yadong Wang. deBWT: parallel construction of Burrows-Wheeler Transform for large collection of genomes with de Bruijn-branch encoding. *Bioinformatics*, 32(12):i174–i182, 2016.
22. Po-Ru Loh, Michael Baym, and Bonnie Berger. Compressive genomics. *Nature biotechnology*, 30(7):627–630, 2012.
23. Veli Mäkinen, Djamel Belazzougui, Fabio Cunial, and Alexandru I Tomescu. *Genome-Scale Algorithm Design*. Cambridge University Press, 2015.
24. Guillaume Marçais and Carl Kingsford. A fast, lock-free approach for efficient parallel counting of occurrences of k-mers. *Bioinformatics*, 27(6):764–770, 2011.
25. Camille Marchet, Antoine Limasset, Lucie Bittner, and Pierre Peterlongo. A resource-frugal probabilistic dictionary and applications in (meta) genomics. *arXiv preprint arXiv:1605.08319*, 2016.
26. Shoshana Marcus, Hayan Lee, and Michael C Schatz. SplitMEM: A graphical algorithm for pan-genome analysis with suffix skips. *Bioinformatics*, 30(24):3476–3483, 2014.
27. Páll Melsted and Jonathan K Pritchard. Efficient counting of k-mers in DNA sequences using a Bloom filter. *BMC bioinformatics*, 12(1):333, 2011.

28. Iliia Minkin, Son Pham, and Paul Medvedev. TwoPaCo: An efficient algorithm to build the compacted de Bruijn graph from many complete genomes. *Bioinformatics*, page btw609, 2016.
29. Kevin D Murray, Christfried Webers, Cheng Soon Ong, Justin O Borevitz, and Norman Warthmann. kWIP: The k-mer weighted inner product, a de novo estimator of genetic similarity. *bioRxiv*, page 075481, 2016.
30. Gonzalo Navarro, Edleno Silva De Moura, Marden Neubert, Nivio Ziviani, and Ricardo Baeza-Yates. Adding compression to block addressing inverted indexes. *Information retrieval*, 3(1):49–77, 2000.
31. Abhinav Nellore, Leonardo Collado-Torres, Andrew E. Jaffe, Jos Alquicira-Hernandez, Christopher Wilks, Jacob Pritt, James Morton, Jeffrey T. Leek, and Ben Langmead. Rail-RNA: scalable analysis of RNA-seq splicing and coverage. *Bioinformatics*, page btw575, 2016.
32. Rob Patro, Stephen M Mount, and Carl Kingsford. Sailfish enables alignment-free isoform quantification from RNA-seq reads using lightweight algorithms. *Nature biotechnology*, 32(5):462–464, 2014.
33. Rajeev Raman, Venkatesh Raman, and S Srinivasa Rao. Succinct indexable dictionaries with applications to encoding k-ary trees and multisets. In *Proceedings of the thirteenth annual ACM-SIAM symposium on Discrete algorithms*, pages 233–242. Society for Industrial and Applied Mathematics, 2002.
34. Roye Rozov, Ron Shamir, and Eran Halperin. Fast lossless compression via cascading Bloom filters. *BMC bioinformatics*, 15(9):1, 2014.
35. Kamil Salikhov, Gustavo Sacomoto, and Gregory Kucherov. Using cascading Bloom filters to improve the memory usage for de Bruijn graphs. In Aaron Darling and Jens Stoye, editors, *Algorithms in Bioinformatics*, volume 8126 of *Lecture Notes in Computer Science*, pages 364–376. Springer Berlin Heidelberg, 2013.
36. Brad Solomon and Carl Kingsford. Fast search of thousands of short-read sequencing experiments. *Nature biotechnology*, 34(3):300–302, 2016.
37. Henrik Stranneheim, Max Källér, Tobias Allander, Björn Andersson, Lars Arvestad, and Joakim Lundeberg. Classification of DNA sequences using Bloom filters. *Bioinformatics*, 26(13):1595–1600, 2010.
38. Cole Trapnell, Adam Roberts, Loyal Goff, Geo Pertea, Daehwan Kim, David R Kelley, Harold Pimentel, Steven L Salzberg, John L Rinn, and Lior Pachter. Differential gene and transcript expression analysis of RNA-seq experiments with TopHat and Cufflinks. *Nature protocols*, 7(3):562–578, 2012.
39. Y William Yu, Noah M Daniels, David Christian Danko, and Bonnie Berger. Entropy-scaling search of massive biological data. *Cell systems*, 1(2):130–140, 2015.
40. Nivio Ziviani, Edleno Silva de Moura, Gonzalo Navarro, and Ricardo Baeza-Yates. Compression: A key for next-generation text retrieval systems. *IEEE Computer*, 33(11):37–44, 2000.

A Appendix

A.1 Insertion

If a tree is modified by the addition (or removal) of a leaf, the only nodes for which B_{\cup} and B_{\cap} can change are along the path from the leaf to the root. This fact, along with the definitions of B_{all} and B_{some} , shows that it is sufficient to only consider changes in B_{some} along that path, and in B_{all} along that path and the siblings of those nodes.

To insert a new Bloom filter B , we follow the same strategy as SBT-SK. We insert B starting at the root and recursively pass it down to the child u that has the smallest Hamming distance between $B_{\cup}(u)$ and B . Though $B_{\cup}(u)$ is not explicitly stored in the SBT-ALSO, it can be recovered on the fly using the equations:

$$B_{\cap}(u) = B_{all}(u) \cup B_{\cap}(parent(u)) \quad (2)$$

$$B_{\cup}(u) = B_{some}(u) \cup B_{all}(u) \cup B_{\cap}(parent(u)) \quad (3)$$

As we proceed down the tree, we must also update the appropriate bitvectors. Consider the insertion of B into the subtree rooted at a node u . We inductively assume that the bitvectors of nodes outside the subtree rooted at u have already been updated, that the bitvectors of nodes inside this subtree have been unchanged, and that $B_{\cap}(parent(u))$ is available in memory. We use the superscript *new* to denote the bitvectors of the nodes after B is recursively passed down to one of the child's subtrees.

At u , observe that $B_{\cup}^{new}(u) = B_{\cup}(u) \cup B$ and $B_{\cap}^{new}(u) = B_{\cap}(u) \cap B$. This formula, together with $B_{\cap}(parent(u))$, is used to update $B_{all}(u)$ and $B_{some}(u)$, using their corresponding definitions. Assuming without loss of generality that B will be passed down to the left child of u , the only other node that needs to be updated is the right child. Even though $B_{\cup}(rchild(u))$ and $B_{\cap}(rchild(u))$ remain unchanged, we need to update $B_{all}^{new}(rchild(u)) = B_{all}(rchild(u)) \setminus B$.

A.2 Deletion

Consider the deletion of an entry from the database. Let v be the leaf representing the deleted entry, and let v' be its sibling. We set $parent(v') = parent(parent(v'))$ and delete v and $parent(v)$ from the tree. Next, we need to update the bitvectors of the tree.

Let p be the path from the root down to v' . Let p' be the nodes of p along with the children of nodes in p . We use the superscript *new* to denote the bitvectors after the deletion, and omit the superscript to indicate bitvectors prior to the deletion. We will update the bitvectors in three passes. In the first pass, we will go down from the root to recover B_{\cap} and B_{\cup} for nodes in p' and store them in active memory. In the second pass, we will go up from v' and use the output of the first pass to calculate $B_{\cup}^{new}(u)$ and $B_{\cap}^{new}(u)$ for nodes in p . Note that $B_{\cap}^{new}(u) = B_{\cap}(u)$ and $B_{\cup}^{new}(u) = B_{\cup}(u)$ for nodes not in p . In the the third pass, will go up from v' and use the output of the second pass to calculate $B_{all}^{new}(u)$ and $B_{some}^{new}(u)$ for all nodes on p' .

In the first pass, we can recover B_{\cap} using the equations Equations (2) and (3) above. In the second pass, we can compute (going up from the leaf)

$$B_{\cup}^{new}(u) = B_{\cup}^{new}(lchild(u)) \cup B_{\cup}^{new}(rchild(u))$$

$$B_{\cap}^{new}(u) = B_{\cap}^{new}(lchild(u)) \cap B_{\cap}^{new}(rchild(u))$$

In the third pass, we can compute:

$$\begin{aligned} B_{all}^{new}(u) &= B_{\cap}^{new}(u) \setminus B_{\cap}^{new}(\text{parent}(u)) \\ B_{some}^{new}(u) &= B_{\cup}^{new}(u) \setminus B_{\cap}^{new}(u) \end{aligned}$$

We note that with a smart implementation, the second and third pass can be combined and the computation of $B_{\cup}(u)$ in the first pass can be done instead on the fly in the second pass. The above algorithm also requires maintaining $O(d)$ bitvectors in memory, where d is the depth of the tree. If memory is limited, then it is possible to read and write the bitvectors to disk for each node as it is being covered in a pass.

The running time of both an insertion or deletion is on the order of the depth of the tree. Performing an insertion/deletion requires performing bitwise operation on bitvectors, which can be done efficiently on a ROAR compressed tree or an uncompressed tree. If RRR is being used, then, similar to SBT-SK, we need to uncompress nodes before processing them and recompress them after.

Finally, we note that if there are many modifications to the tree, the advantages of the initial clustering construction may dissipate. In this case, the tree can be reconstructed from scratch, incurring a time penalty but reducing the run time of future queries.

A.3 Formal derivation of update formulas for construction

In Section 4.2, we presented the update rules for constructing B_{all} and B_{some} for the internal nodes of a SBT. Here, we give a formal derivation of the rules' correctness. First, let $DB(u)$ denote the database entries corresponding to the descendant leaves of a node u . Note that the subtree rooted at u is, by definition, an SBT of $DB(u)$. At any point of the construction, we will have the invariant that if node v was processed then the subtree rooted at v is a correct SBT-ALSO for $DB(v)$. For the base case, for all leaves u we set $B_{all}(u) = B_{\cup}(u)$ and $B_{some}(u) = \emptyset$. For the general case, consider an internal node u whose children have already been processed. We will use the superscript *new* to denote the values of the bitvectors for the new subtree rooted at u , to distinguish it from those values passed up inductively from the trees of the children. An important point is that, for a child v , $B_{all}^{new}(v)$ may be different from $B_{all}(v)$. This is because once the SBT-ALSO of $DB(v)$ is incorporated into the SBT-ALSO of $DB(u)$, any bits that are set in $B_{all}^{new}(v)$ need to be unset in $B_{all}^{new}(u)$. Also, observe that for a root r of an SBT-ALSO tree (e.g. v in $DB(v)$ or u in $DB(u)$), $B_{all}(r) = B_{\cap}(r)$ and $B_{\cup}(r) = B_{all}(r) \cup B_{some}(r)$. Applying our observations and definition, we can derive formula for $B_{all}^{new}(u)$, $B_{some}^{new}(u)$, and $B_{all}^{new}(v)$:

$$\begin{aligned}
 B_{all}^{new}(u) &= B_{\cap}^{new}(u) \\
 &= B_{\cap}(lchild(u)) \cap B_{\cap}(rchild(u)) \\
 &= B_{all}(lchild(u)) \cap B_{all}(rchild(u)) \\
 B_{all}^{new}(v) &= B_{\cap}^{new}(v) \setminus B_{\cap}^{new}(parent(v)) \\
 &= B_{\cap}(v) \setminus B_{\cap}^{new}(u) \\
 &= B_{all}(v) \setminus B_{all}^{new}(u) \\
 B_{some}^{new}(u) &= B_{\cup}^{new}(u) \setminus B_{\cap}^{new}(u) \\
 &= \left(\bigcup_{w \text{ is a child of } u} B_{\cup}(w) \right) \setminus B_{all}^{new}(u) \\
 &= \bigcup_w (B_{\cup}(w) \setminus B_{all}^{new}(u)) \\
 &= \bigcup_w ((B_{all}(w) \cup B_{some}(w)) \setminus B_{all}^{new}(u)) \\
 &= \bigcup_w ((B_{all}(w) \setminus B_{all}^{new}(u)) \cup (B_{some}(w) \setminus B_{all}^{new}(u))) \\
 &= \bigcup_w ((B_{all}(w) \setminus B_{all}^{new}(u)) \cup B_{some}(w)) \\
 &= \bigcup_w (B_{all}^{new}(w) \cup B_{some}(w))
 \end{aligned}$$