



Peer Community In Evolutionary Biology

Sofonea MT, Aldakak L, Boullosa LFVV, Alizon S. 2017.
Can Ebola Virus evolve to be less virulent in humans?
bioRxiv 108589, <http://dx.doi.org/10.1101/108589>

**A Preprint reviewed and recommended by *Peer Community In
Evolutionary Biology*.**

<http://dx.doi.org/10.24072/pci.evolbiol.100022>

Can Ebola Virus evolve to be less virulent in humans?

Mircea T. Sofonea^{1,*}, Lafi Aldakak^{1,2}, Luis Fernando Boullosa^{1,2}, Samuel Alizon¹

¹Laboratoire MIVEGEC (UMR CNRS 5290, IRD 224, UM) 911 avenue
Agropolis, B.P . 64501, 34394 Montpellier Cedex 5, France

²Erasmus Mundus Master Programme in Evolutionary Biology (MEME)

* Author for correspondence: mircea.sofonea@normalesup.org

Article Type: Letter

Short Running title: Modeling Ebola virulence evolution

Keywords: case fatality ratio, virulence, EBOV, transmission, evolutionary epidemiology,
10 public health, trade-offs, outbreak, adaptation

Abstract Word Count: 160 words

Total Word Count: Approximately 4500 words

Abstract

This preprint has been reviewed and recommended by Peer Community In Evolutionary Biology
15 (<<http://dx.doi.org/10.24072/pci.evolbiol.100022>>). Understanding Ebola Virus (EBOV)
virulence evolution is not only timely but also raises specific questions because it causes one of the
most virulent human infections and it is capable of transmission after the death of its host. Using a
compartmental epidemiological model that captures three transmission routes (by regular contact,
via dead bodies and by sexual contact), we infer the evolutionary dynamics of case fatality ratio
20 (CFR) on the scale of an outbreak and on the long term. Our major finding is that the virus's
specific life cycle imposes selection for high levels of virulence and that this pattern is robust to
parameter variations in biological ranges. In addition to shedding a new light on the ultimate causes
of EBOV's high virulence, these results generate testable predictions and contribute to informing
public health policies. In particular, burial management stands out as the most appropriate
25 intervention since it decreases the \mathcal{R}_0 of the epidemics, while imposing selection for less virulent
strains.

Impact Summary

The severe haemorrhagic fever caused by Ebola Virus (EBOV) usually kills more than one infected individual out of two in the absence of treatment, which makes this pathogen one of the most virulent known to humans. The recent outbreak in West Africa (2013-2016) revealed that the virus is able to spread and persist for months across countries. It is often thought that virulence could be due to the fact that the virus is adapted to its reservoir host. Given that microbes evolve rapidly, it is important to determine whether EBOV virulence is likely to decrease as the virus adapts to its human host. To address this problem, we developed a novel mathematical model tailored to EBOV's life cycle, notably by capturing its three main transmission routes (by regular contact, sexual contact and via dead bodies). We investigated the evolutionary trends of EBOV's virulence on different time scales (outbreak initiation, short term and long term). Our results reveal that the virulence of EBOV might not be due to the maladaptation of the virus, but could rather originate from its unique life cycle. These results are robust to the parameter values chosen. From a public health perspective, burial management stands out as the main leverage to fight the virulence of EBOV, both on the short and long terms.

Introduction

Ebola Virus (EBOV) has been a major source of fear since its discovery in 1976. Until 2013, all outbreaks could be traced to spillover from reservoir hosts (Leroy et al., 2005) and were limited in size. This was attributed to EBOV's extremely high case fatality ratio (CFR), that is the ratio of infected hosts who die from the infection, which we use here as a measure of infection virulence. The dramatic 2013-2016 epidemic in West Africa, which caused more than 28,000 infections and claimed at least 12,000 lives, showed that the virus can persist in the human population for months, therefore raising the question: 'How will the virulence of Ebola Virus evolve in humans?' (Kupferschmidt, 2014).

Being an RNA virus, Ebola is prone to rapid evolution (de La Vega et al., 2015) and *in vitro* analyses suggest that the virus has evolved during the outbreak towards an increased tropism for human cells (Urbanowicz et al., 2016). It was first thought that host-parasite interactions should always evolve towards benignity because mild strains seem to have a transmission advantage over strains that kill their hosts rapidly (Méthot, 2012). Since the 1980s, evolutionary biologists have shown that parasite virulence can be adaptive because it may correlate with transmissibility or within-host competitiveness (for a review, see Alizon and Michalakis, 2015). The avirulence theory does remain prevalent in many fields. For instance, some envisage a decrease in EBOV virulence due to host adaptation Kupferschmidt (2014), even though we know the virulence of some human infectious diseases such as HIV or tuberculosis has followed an increasing trend since their emergence (Gagneux, 2012; Herbeck et al., 2012).

Studying virulence as a potentially adaptive trait for the parasite requires encompassing the whole epidemiological life cycle of the infectious agent (Alizon and Michalakis, 2015). In the case of Ebola Virus, most individuals acquire the infection after direct contact with blood, bodily

65 secretions or tissues of other infected humans whether alive or dead (Bausch et al., 2007). This *post-*
mortem transmission route cannot be neglected in Ebola Virus epidemics (Chan, 2014), although
its magnitude is likely to be low compared to direct transmission (Weitz and Dushoff, 2015). From
an evolutionary standpoint, this route might be crucial as well since the timing of life-history
events can dramatically affect virulence evolution (Day, 2003). Intuitively, if the virus is still
70 able to transmit after host death, virulence will have a smaller effect on the parasite’s transmission
potential. Moreover, there is an increasing evidence that EBOV might also be transmitted through
sexual contact even long after the clinical ‘clearance’ of the infection since the virus can persist in
the semen for months (Eggo et al., 2015; Thorson et al., 2016; Uyeki et al., 2016).

Will EBOV become more virulent by adapting to humans? To address this question, we use
75 mathematical modelling to determine how case fatality ratio affects the risk of emergence, how
it evolves on the long and on the short term. To this end, we introduce an original epidemio-
logical model that captures all three transmission routes of the virus in human populations. We
parametrize our model with data from the well-documented 2013-2016 epidemics. We also perform
sensitivity analyses on conservative biological ranges of parameter values to verify the robustness
80 of our conclusions.

We find that EBOV undergoes selection for higher case fatality ratios due to its life cycle
that includes transmission from hosts after death. This result is robust to most parameter values
within biological ranges. We also show that short-term evolutionary dynamics of virulence are more
variable but consistently depend on the duration of the incubation period. Finally, we investigate
85 how public health interventions may affect EBOV virulence evolution. We find a direct, but limited,
effect of safe burials that may decrease the spread of the virus, while favouring less virulent strains
over more virulent ones.

Methods

For clarity, most of the technical details are shown in Supplementary materials and this section
90 contains verbal description of the model, Figures illustrating the life cycle and a list of parameter
values.

Epidemiological model

Our original compartmental model is based on the classical Susceptible-Exposed-Infected-Recovered
(*SEIR*) model, which we enhanced by adding a convalescent class (*C*) that allows for sexual trans-
95 mission (Abbate et al., 2016) and an infected dead body class (*D*) that allows for *post-mortem*
transmission (Legrand et al., 2007; Weitz and Dushoff, 2015). The model is deterministic and does
not include additional host heterogeneity, spatial structure or public health interventions.

We incorporated demography through a host inflow term λ and a baseline mortality rate μ .
Susceptible individuals (*S*) can become infected by regular contact with symptomatic infected
100 individuals (*I*) (World Health Organization Ebola Response Team, 2014), by sexual contact with
convalescent individuals (*C*) (Mate et al., 2015) and by contact with the dead body of EVD
victims, mostly during ritual practices (*D*) (Chan, 2014). The rates at which these events occur
are proportional to β_I , β_C and β_D respectively. As in most models (Keeling and Rohani, 2008), we
assumed sexual transmission to be frequency-dependent. For non-sexual transmission, we assumed
105 density-dependent transmission following an analysis of the 2013-2016 epidemic (Leander et al.,
2016), although performed at a smaller scale than ours. The total population size of live hosts is
denoted N .

Upon infection, susceptibles move to the so-called ‘exposed’ class (*E*), meaning they are infected
but not yet infectious. For Ebola Virus infections, this latency period is also the incubation period,

110 i.e. the time from the contamination to the onset of the symptoms. These symptoms arise at a rate ω .

At the end of this latency/incubation period, individual move to the symptomatic infected compartment (I). They leave this compartment at a rate γ , which we calibrated using the average time elapsed from the onset of the symptoms to death or recovery. We hereafter refer to this as the
115 ‘symptomatic period’. The probability that an infected individual survives the infection is $1 - \alpha$. The case fatality ratio (CFR), α , is our measure of virulence.

We assumed that infected individuals who survive the infection clear the virus from their blood-stream but not from other fluids such as semen and may therefore still transmit EBOV through sexual contacts (Deen et al., 2015). These convalescent individuals (C) completely eliminate EBOV
120 at a rate σ . Notice that given the severity of the symptoms (Feldmann and Geisbert, 2011) and the fact that the convalescence period is one order of magnitude greater than the symptomatic period, we neglected the sexual transmission from symptomatic infected individuals (I).

Based on the current immunological data (Sobarzo et al., 2013), we assumed that full elimination of EBOV from convalescent hosts confers lifelong immunity to recovered individuals (R), who
125 do not contribute to the epidemiology.

On the contrary, infected individuals who die from the disease may continue to transmit EBOV if their burial is performed in unsafe conditions, which occurs at a probability θ . There is little data from which to estimate this parameter. However, the proportion of EBOV-positive dead bodies has been estimated to decline from 35% to 5% by the end of 2014 in the most populous county
130 of Liberia (Nyenswah et al., 2016). We therefore set the default value $\theta = 0.25$. In the analysis, we strongly vary this parameter since it represents an important leverage public health policies have on the epidemics. In the absence of burial team intervention, body fluids from dead bodies remain infectious for a period ε^{-1} which is known to be less than 7 days in macaques (Prescott et

al., 2015).

135 Our model, pictured in Figure 1, consists in a set of Ordinary Differential Equations (ODEs) shown in Supplementary Material A.

Table 1 lists the 11 model parameters. Their values were calibrated using data from the 2013-2016 epidemic in West Africa. We worked at a country level and preferentially chose estimates from the Liberia outbreak, because with approximately 10,000 cumulative cases (World Health
140 Organization, 2016), its magnitude lies in between that of Sierra Leone and Guinea. Demography data from Liberia were obtained from publicly available data from the Central Intelligence Agency (Central Intelligence Agency, 2016). The newborn inflow was set such that the disease free equilibrium matches the country's population size.

In Supplementary Material C, we calculate the basic reproduction number of EBOV (denoted
145 \mathcal{R}_0), which is the average number of secondary infections caused by a single infected individual in a fully susceptible population (Diekmann et al., 1990). By studying the local stability of the system (S1) at the disease free equilibrium, we found that

$$\mathcal{R}_0 = \frac{\beta_I}{\gamma} S_0 + \frac{\alpha\theta\beta_D}{\varepsilon} S_0 + \frac{(1-\alpha)\beta_C}{\sigma}, \quad (1)$$

where $S_0 = \lambda/\mu$ is the total population size before the epidemic. The three terms in \mathcal{R}_0 correspond to each transmission route: from symptomatic individuals ($\mathcal{R}_{0,I} := \beta_I S_0/\gamma$), infectious
150 bodies ($\mathcal{R}_{0,D} := \alpha\theta\beta_D S_0/\varepsilon$), and convalescent individuals ($\mathcal{R}_{0,C} := (1-\alpha)\beta_C/\sigma$). Notice that the incubation period does not affect \mathcal{R}_0 .

Transmission-virulence trade-off and estimated values

Trade-offs are a central component of evolutionary model and, without them, predictions tend to be trivial (e.g. viruses should evolve to maximise their transmission rates and minimise their virulence). Although the EBOV life cycle generates constraints that may lead to non-trivial evolutionary outcomes, we do also allow for an explicit trade-off between CFR and transmission rates. Such a relationship has been shown in several host-parasite systems (Alizon and Michalakis, 2015). The case of HIV is particularly well documented (Fraser et al., 2014): viruses causing infections with higher viral loads have increased probability to be transmitted per sexual contact, while causing more virulent (shorter) infections. As a result, there exists an optimal intermediate viral load that balances the virus benefits of transmission with the costs of virulence, thus maximising the number of secondary infections.

In the case of EBOV, there is indirect evidence that viral load is positively correlated with case fatality ratio (CFR) since survivor hosts tend to have lower viral loads than non-survivors (Towner et al., 2004; Crowe et al., 2016). Viral load is thought to correlate with transmission (Osterholm et al., 2015) but demonstrating a clear link is challenging (for HIV, it has required identifying sero-discordant couples in cohorts).

We assumed an increasing relationship between transmission rates and CFR (α) such that:

$$\beta_H(\alpha) := b_H \alpha^p, \tag{2}$$

where b_H is a constant factor, $p \in \mathbb{R}_+$ is a parameter capturing the concavity of the trade-off curve and H stands for one of the compartment I , D or C . The exact value of p results from within-host interactions (Alizon and van Baalen, 2005) but one can identify four kinds of trade-offs: $p > 1$ corresponds to an amplifying transmission benefit from increasing CFR, $p = 1$ corresponds

to a linear relationship between transmission and CFR, $0 < p < 1$ corresponds to a saturating transmission benefit from increasing CFR and $p = 0$ is the degenerate case without trade-off. From a biological standpoint, we could expect different transmission routes to have different trade-off shapes (p) but, as we show here, our results are largely independent of p .

Transmission rates being difficult to estimate (Leander et al., 2016), we indirectly infer the order of magnitudes of b_I , b_C and b_D by setting the \mathcal{R}_0 close to 2, that is its approximate value for the 2014 epidemic (World Health Organization Ebola Response Team, 2014). Since \mathcal{R}_0 is the sum of the epidemiological contributions of each transmission route (see equation (1)), we added the constrain that, according to previous studies, transmission from symptomatic individuals contributes about ten times more than transmission from dead bodies (World Health Organization Ebola Response Team, 2014; Weitz and Dushoff, 2015) and one hundred times more than transmission from convalescent individuals (Abbate et al., 2016). Straightforward calculations (analogous to those done for sensitivity analysis in Supplementary Material E) resulted in attributing the orders of magnitude shown in Table 1.

In the following, the exponent p was left undetermined, but its value was set to 0 for the estimation of b_H in the null hypothesis. This leads to $\mathcal{R}_0 \approx 1.86$, which is very close to the WHO mean estimation for the Liberia epidemic, namely 1.83 (World Health Organization Ebola Response Team, 2014).

190 **Long term evolution**

We used the adaptive dynamics framework (Geritz et al., 1998), which assumes that evolution proceeds by rare and small phenotypical mutations occurring in a monomorphic population that has reached ecological stationarity. Polymorphism is therefore limited to transient dimorphic phases where the ancestor (hereafter called the ‘resident’) and its mutant compete. Depending on

195 the outcome of the competition, the system either goes back to the previous endemic equilibrium or reaches a new monomorphic equilibrium. The corresponding dynamical system is shown in Supplementary Material A (system (S2) applied to $n = 2$). Notice that the adaptive dynamics assumptions are particularly consistent with infectious disease dynamics (Dieckmann et al., 2002).

Given the focus of this study, we assumed that the resident and the mutant only differ in their
 200 CFR (and in their transmission traits if there was a transmission-virulence trade-off). We denoted the virulence of the mutant and the resident by α' and α respectively. α' was assumed to be close to α . Since the mutant is rare by definition, its emergence can be assumed not to affect the resident system. We therefore investigated the local stability of the related endemic equilibrium. This only depended on the local stability of the mutant sub-system (E_2, I_2, D_2, C_2) to which we applied the
 205 next-generation theorem (Dieckmann et al., 1990; Hurford et al., 2010). This eventually led (see Supplementary Material C.3) to the mutant relative reproduction number

$$\mathcal{R}(\alpha', \alpha) = \frac{\frac{\beta_I(\alpha')}{\gamma} + \frac{x\theta\beta_D(\alpha')}{\varepsilon} + \frac{(1-\alpha')\beta_C(\alpha')}{\sigma\tilde{N}(\alpha)}}{\frac{\beta_I(\alpha)}{\gamma} + \frac{\alpha\theta\beta_D(\alpha)}{\varepsilon} + \frac{(1-\alpha)\beta_C(\alpha)}{\sigma\tilde{N}(\alpha)}}, \quad (3)$$

where there total host population size can be approximated (see Supplementary Material B) by

$$\tilde{N}(\alpha) \approx (1 - \alpha) S_0 + \frac{\alpha}{\frac{\beta_I(\alpha)}{\gamma} + \frac{\alpha\theta\beta_D(\alpha)}{\varepsilon}}. \quad (4)$$

We then calculated the selection gradient by deriving the relative reproduction number (equation (3)) with respect to the mutant's trait (Otto and Day, 2007). Equating the mutant and
 210 resident trait value we eventually found

$$\Delta(\alpha) = \frac{p}{\alpha} + \frac{\frac{\theta b_D}{\varepsilon} \tilde{N}(\alpha) - \frac{b_C}{\sigma}}{(1 - \alpha) \frac{b_C}{\sigma} + \left(\frac{b_I}{\gamma} + \frac{\theta b_D}{\varepsilon} \alpha \right) \tilde{N}(\alpha)}. \quad (5)$$

The sign of Δ indicates the way natural selection acts on the trait depending on the resident's trait.

Short term evolution

Viruses evolve so rapidly that evolutionary and epidemiological dynamics may overlap. The epidemiological Price equation framework is designed to predict short-term evolution based on stand-
215 ing genetic variation (Day and Proulx, 2004a; Day and Gandon, 2006).

Practically, we assumed that the parasite population is initially diverse and consists of n different genotypes, each genotype i being defined by a specific value for several phenotypic traits of interest: the case mortality (α_i), the rate of end of latency (ω_i), the rate of end of the infectious
220 period (γ_i), the rate at which dead bodies cease to be infectious (ε_i), the rate at which convalescent hosts clear the infection (σ_i) and the transmission rates ($\beta_{D,i}$, $\beta_{I,i}$ and $\beta_{C,i}$).

The dynamics of the populations of interest are described by $4n + 1$ ODEs that are shown in Supplementary Material A.

After thorough calculations (in Supplementary Material F) we find that, if we neglect muta-
225 tional bias, mean traits in each compartment vary according to a system of ODEs that involves statistical covariances and variances of traits in the different compartments. The equations involving average CFR are shown in the Results section.

An important assumption of this Price equation approach is that covariance terms are assumed to be constant, which implies that predictions are only valid on the short term. Given that the
230 main limitation of the adaptive dynamics framework relies in its assumption that epidemiological dynamics are fast compared to evolutionary dynamics, combining the two frameworks allows us to get a broader picture.

Results

Virulence and emergence

235 We first consider the risk for an epidemic to occur as a function of EBOV virulence, trade-off shape and burial management. A disease spreads in a fully susceptible population if its reproduction number (\mathcal{R}_0) is greater than unity (Anderson and May, 1981). Using our default parameters values (Table 1), we show in Figure 2 that the most virulent EBOV strains are almost always the most likely to emerge, independently of the trade-off exponent p and of proportion of unsafe burials θ .
240 To have \mathcal{R}_0 decrease with α , one needs to have neither trade-off nor unsafe burials ($\theta = p \approx 0$). However, with our default parameter values this decrease is limited.

If we focus on the lowest virulence that may lead to an epidemic (denoted α_{\min}), we find that with our default parameter values burial management can prevent emergence (that is bring \mathcal{R}_0 below unity by moving vertically in Figure 2) only if the transmission-virulence trade-off is strong
245 enough (the green, blue and cyan curves).

In the following, we will generally assume that EBOV is adapted enough to persist in the human population ($\mathcal{R}_0 > 1$). Since outbreak originates via spillover from reservoir hosts (Leroy et al., 2000), it is likely that the virus is maladapted in the first human infections. However, to capture these dynamics, an evolutionary rescue formalism would be more appropriate given the
250 importance of stochastic events and this is outside the scope of this study (for a review, see Gandon et al., 2013).

Long-term virulence evolution

If the selection gradient in equation (5) is negative for any CFR ($\Delta(\alpha) < 0$), then the virus population evolves towards its lowest virulence that allows persistence (that is α_{\min}). If the gradient

255 is always positive ($\Delta(\alpha) > 0$), the CFR evolves towards 1. Intermediate levels of virulence can only be reached if there exists α^* such that $\Delta(\alpha) \geq 0$ for $\alpha \leq \alpha^*$, $\Delta(\alpha) \leq 0$ for $\alpha \geq \alpha^*$ and $\mathcal{R}(\alpha, \alpha^*) < 1$ for any $\alpha \neq \alpha^*$. We show in Supplementary Material D.4 that this occurs only if the proportion of unsafe burials (θ) and the trade-off parameter (p) are lower than the following boundaries

$$\theta < \frac{b_I b_C \varepsilon}{\gamma \sigma b_D} \text{ and } p < \frac{b_C}{\sigma}, \quad (6)$$

260 Unless these two conditions are met, the selection gradient is always positive and EBOV is expected to always evolve towards higher case fatality ratios ($\alpha^* = 1$). Rewriting the first inequality as $\frac{\theta b_D S_0}{\varepsilon} < \frac{b_I S_0}{\gamma} \times \frac{b_C}{\sigma}$ highlights that virulence is favoured by natural selection as soon as the *post mortem* transmission component is greater than the product of the symptomatic and convalescent transmission components.

265 Figure 3 shows how α^* is numerically affected by a change in burial management (θ) and trade-off strength (p). Unless the proportion of safe burials is brought below 4%, and unless there is a weak trade-off ($p < 0.01$), CFR will remain high. Intuitively, this double condition can be understood in the following way. If the trade-off is negligible, the CFR is weakly linked to transmission by regular contact and therefore selection on α only weakly depends on this component of the life cycle. As a consequence, the value of θ governs the relative importance of the two transmission routes that matter. *Post mortem* transmission always favours higher CFR, whereas the sexual transmission route can be maximised for intermediate levels of virulence (see Supplementary Material H.)

270 It was not possible to find an explicit expression for the long-term equilibrium virulence (α^*),

275 but we found it lies in the following interval (Supplementary Material D.5):

$$\alpha^* \in \left[\frac{p}{\frac{b_C}{\sigma} - \frac{\theta b_D}{\gamma + \theta \frac{b_D}{\varepsilon}}}, \frac{\left(\left(\frac{b_I}{\gamma} + \theta \frac{b_D}{\varepsilon} \right) S_0 + \frac{b_C}{\sigma} \right) p}{(1+p) \frac{b_C}{\sigma} - \theta \frac{b_D}{\varepsilon} S_0} \right]. \quad (7)$$

The lower bound of this interval increases with trade-off strength (p) and intensity of the *post mortem* transmission route ($\theta b_D/\varepsilon$). If *post mortem* transmission is strongly reduced, owing to a safer burial management ($\theta \rightarrow 0$), the lower bound simplifies to $p\sigma/b_C$. The long-term virulence then appears to be a balance between trade-off strength and sexual transmission intensity, which
 280 is consistent with our intuitive explanation of the condition for an intermediate virulence to be selected. In particular, any decrease in the time for convalescent hosts to clear the virus (*i.e.* increase in σ) will increase the lower bound for CFR.

To further assess the robustness of these results, we performed a sensitivity analysis by varying the relative importance of each transmission route (regular contact, sexual transmission and
 285 transmission from dead bodies), while keeping the total value of \mathcal{R}_0 constant. As shown in Figure 4, unless the values of p are extremely low, variations in the relative transmission routes is unlikely to be sufficient to move our default value (dotted lines) to the region where low virulences (*e.g.* $\alpha < 50\%$) are favored (green area). To give a quantitative estimate, the relative importance of transmission via sexual contact (on the vertical axis) would need to be about 40 times greater
 290 than the current estimates to bring the current estimate above the blue separatrix, which already assumes a low trade-off and a perfect burial management.

Short term evolutionary dynamics

Reaching an evolutionary equilibrium may take time (especially if strains have similar trait values) and the transient dynamics can be non-trivial because the system is non-linear. The Price equation

295 framework provides a way to qualitatively address the initial trends of average trait values, by considering the initial diversity in the virus population.

If we denote by \bar{x}^H the average value of trait x in compartment H and by $\text{cov}_H(x, y)$ the statistical covariance between traits x and y in compartment H (which becomes the statistical variance $\text{var}_H(x)$ if $x \equiv y$), the dynamics of average virulence in the four infected compartments satisfy the following ODEs (see Supplementary Material F for further details):

$$\frac{d\bar{\alpha}^I}{dt} = -\text{cov}_I(\alpha, \gamma) + \left(\text{cov}_E(\alpha, \omega) + (\bar{\alpha}^E - \bar{\alpha}^I) \bar{\omega}^E \right) \frac{E_\bullet}{I_\bullet}, \quad (8a)$$

$$\frac{d\bar{\alpha}^E}{dt} = -\text{cov}_E(\alpha, \omega) + \frac{S}{E_\bullet} \sum_{H \in \{I, D, C\}} \left(\text{cov}_H(\beta_H, \alpha) + (\bar{\alpha}^H - \bar{\alpha}^E) \bar{\beta}_H^H \right) H_\bullet, \quad (8b)$$

$$\frac{d\bar{\alpha}^D}{dt} = -\text{cov}_D(\alpha, \varepsilon) + \left(\text{var}_I(\alpha) + \bar{\alpha}^I (\bar{\alpha}^I - \bar{\alpha}^D) \right) \theta \gamma \frac{I_\bullet}{D_\bullet}, \quad (8c)$$

$$\frac{d\bar{\alpha}^C}{dt} = -\text{cov}_C(\alpha, \sigma) + \left(\text{cov}_I(\alpha, \gamma) - \gamma \text{var}_I(\alpha) + (1 - \bar{\alpha}^I) (\bar{\alpha}^I - \bar{\alpha}^C) \bar{\gamma}^I \right) \frac{I_\bullet}{C_\bullet}, \quad (8d)$$

where $H_\bullet := \sum_{i=1}^n H_i$ denotes the total size of compartment $H \equiv E, I, D, C$.

Focusing on the compartment on which virulence acts, namely the symptomatic individuals, indicates that the short-term evolution of the average virulence $\bar{\alpha}^I$ is mainly governed by the correlations between this trait and the symptomatic and latency periods. More explicitly, equation (8a) states that if the most virulent strains induce the longest symptomatic period and/or the shortest latency periods, the average virulence in I can be expected to increase at the beginning of the epidemic. Intuitively, newly symptomatic individuals are more likely to have been infected with a highly virulent strain.

305 Equation (8a) contains a third term proportional to $\bar{\alpha}^E - \bar{\alpha}^I$, which is more difficult to apprehend. Indeed, $\bar{\alpha}^E$ varies as well and follows a complicated ODE that involves not only the correlation with the latency period but also correlations with the transmission rates (equation (8b)).

This diversity of components make both $\bar{\alpha}^E$ and $\bar{\alpha}^I$ difficult to predict early in the epidemics.

We therefore simulated epidemics numerically according to system (S2). We considered nine
310 scenarios of increasing complexity, three of which are shown in Figure 5 (see Supplementary Ma-
terial G for more details). During the first six months of an (unmanaged) epidemic, average
virulence exhibits wide variations. In most scenarios (panels A and B), it tends to evolve towards
the maximum of the range provided by its initial polymorphism. Transient evolution for further
virulence in an expanding epidemic have been highlighted by previous models (Day and Proulx,
315 2004b, e.g.) and studies (Berngruber et al., 2013) but this effect was due to a positive correlation
between virulence and transmission rates, which is here not required (Figure 5A). Unsurprisingly,
the addition of such correlation amplifies the transient increase in virulence observed during the
approximately first 300 days after the onset of the epidemic (Figure 5B).

A scenario where average virulence decreases initially is when it is positively correlated with
320 the latency period (Figure 5C). This occurs because less virulent strain have an advantage early in
the epidemics by reaching the infectious class earlier. More virulent strains become more frequent
again when the value of D begins to take off (Figure 5B).

A secondary result shown in these figures is that dead bodies (in brown) always carry more
virulent strains on average.

325 Discussion

Virulence could be adaptive for EBOV

Ebola Virus is one of the deadliest human pathogen (Feldmann and Geisbert, 2011). The re-
cent epidemic in West Africa has shown that it can transmit for months months among humans
throughout entire countries. As any microbe (especially RNA viruses), it is likely exposed to fast

330 evolution during the course of the epidemic. From a public health standpoint, it is important to predict Ebola virus' next move and the current hope is that the shift from an emerging to an endemic lifestyle could favour less virulent strains (Kupferschmidt, 2014).

Predicting virulence evolution is usually challenging because we tend to lack details about correlations between epidemiological parameters. Furthermore, even when there is data to estimate 335 a trade-off relationship, its exact shape can have huge quantitative and even qualitative effects on the evolutionary dynamics of the trait (Alizon and van Baalen, 2005; Svennungsen and Kisdi, 2009). Our results stand out because they are robust both to parameter variation in wide biological ranges (World Health Organization Ebola Response Team, 2014, 2015) and also to the type of trade-off assumed (and even to its existence).

340 In addition to the strong selection on EBOV virulence due to its transmission via dead bodies, another striking result is that decreasing the ratio of unsafe burials is triply effective. First, it decreases the spread of the virus (i.e. its \mathcal{R}_0). Second, in the short term, it can help limit a transitory increase in virulence. Indeed, in the first weeks of an epidemic, the sexual transmission route is negligible compared to the other routes that are maximised for the highest CFR values. 345 Third, in the long term, decreasing the proportion of unsafe burials is necessary to shift the selective pressure in favour of less virulent strains.

Overall, EBOV is unlikely to evolve to become less virulent because that would require two conditions. First, the proportion of unsafe burials must be brought to a very low value, which we estimate to be lower than 4%. Second, there must be very little or no genetic relationship between 350 EBOV case fatality ratio and transmission rate. This latter condition is particularly frustrating because it cannot directly be addressed by public health policies. Finally, even if these conditions are met, the level of virulence reached in the long term may still be high, especially if sexual transmission is limited. On a more positive note, results from the Price equation approach show

that the virus may experience transitory lower levels of virulence before reaching this maximum
355 via a positive genetic correlation between virulence and incubation period. This is somehow
unexpected because this latter parameter does not appear in the calculations related to long-term
evolutionary or emergence.

In addition to the strong selection for maximum virulence of EBOV, another striking result is
that decreasing the ratio of unsafe burials is triply effective. First, it decreases the spread of the
360 virus (i.e. its \mathcal{R}_0). Second, in the short term, it can help limit a transitory increase in virulence.
Indeed, in the first weeks of an epidemic, the sexual transmission route is negligible compared to
the other routes that are maximised for maximum CFR. Third, in the long term, decreasing the
proportion of unsafe burials is necessary to shift the selective pressure in favour of less virulent
strains.

365 **Virulence is a shared trait**

In evolutionary biology, virulence is defined as the decrease in host fitness due to the infection
(Alizon and Michalakis, 2015). Given the speed at which a pathogen kills its host, EBOV's
virulence can neither be measured as a decrease in instantaneous fecundity (which would be almost
zero) nor as an increase of instantaneous mortality rate (which would tend towards infinity or zero
370 depending on the infection outcome). The case fatality ratio (CFR) therefore appears to be the
only measurable and epidemiologically relevant proxy for EBOV's virulence.

We focused on the virus side but, like any infection trait, virulence is also determined by the
host and its environment. To predict how virulence will change in the future, we should also
consider how hosts may change. In the case of EBOV, it was known before the recent epidemics
375 that some people can become immune to the virus without exhibiting any symptoms (Leroy et al.,
2000). The question remains to know if they can also be infectious. More generally, our assumption

of life-long protection could be oversimplifying.

Finally, to make predictions on the long term evolution, we need to factor in how the virus population will evolve in response to the variation in the host population’s immune status. Since
380 the immunological status of the host population is determined by that of the virus population, this *de facto* qualifies as a coevolutionary interaction. Earlier models shows that host heterogeneity in resistance and tolerance can lead to a variety of outcomes (Miller et al., 2006; Cousineau and Alizon, 2014). Overall, introducing realistic host heterogeneity, in particular age-dependent or sex-dependent mortality, appears like a relevant extension of this model.

385 **Spatial structure**

Trait evolution is shaped by contact patterns between hosts (Lion and van Baalen, 2008). Regarding the recent Ebola epidemic, the lack of medical personnel and infrastructure in the affected countries played an key role in the spread of the disease as, for example, according to the World Health Organisation, in 2008 Liberia and Sierra Leone had only a density of 0.015 physicians per
390 1000 inhabitants, when at the same time France had a density of 3.5 and the United States of America 2.4. This was further exacerbated by historical, political and sociological factors (Ali et al., 2016).

It is difficult to predict how explicitly accounting for spatial structure would affect the results. Indeed, it is generally thought that the more ‘viscous’ the population, the more virulence is counter-
395 selected (Boots and Sasaki, 1999). However, the life cycle of the parasite and the host demography can create epidemiological feedbacks that alter this prediction by causing virulence to be maximised for intermediate levels of population structures (Lion and Boots, 2010). This is why predicting virulence evolution in a fully spatially structured model is beyond the scope of this study.

Testable predictions

400 One of the underlying assumptions of our model, which could be tested is that the variation we observe in virulence is at least partially controlled by the virus genetics. This could be done by combining virus sequence data with infection traits (virus load or infection outcome) through a phylogenetic comparative approach (Alizon et al., 2010) or a genome wide association study on the virus genome (Power et al., 2017). If virus load is confirmed to be partially controlled by the virus
405 genetics and if, as current evidence suggests, it is correlated with virulence (Towner et al., 2004; Crowe et al., 2016), then studying variations in virus load throughout the 2013-2016 epidemics can help us understand the evolutionary dynamics of virulence. On that note, an experiment consisting in generating pseudovirions based on ancestral or recent EBOV sequences suggests that some of the substitutions observed during the 2013-2016 epidemics may confer increased tropism
410 for human cells (Urbanowicz et al., 2016).

Another result of the short-term evolutionary dynamics analysis is that individuals who contract EBOV from dead bodies should have a higher probability of dying than those infected by contact with living infectious individuals. This could be tested by collecting data from individuals where the transmission route is well documented.

415 Finally, the remote possibility that lower virulence strains will evolve depends on the existence of a transmission-virulence trade-off. Assessing the shape of this trade-off may be, therefore, very valuable. Note that in the case of EBOV, it is not the exact shape that matters but rather the general trend.

Conclusion

420 This evolutionary epidemiology work shows that EBOV's high virulence, whether it is about emergence, short-term or long-term dynamics, can be explained by its particular life cycle that mixes parasitism and parasitoidism (*post mortem* transmission). Unfortunately, any long term decrease in virulence is unlikely for West African strains at any time scale, although increasing the safe burial proportion appears to be an optimal response in both the short and long terms.

425 Acknowledgements

Funding Statement

M. T. Sofonea and S. Alizon acknowledge support from the CNRS, the UM and the IRD.

Competing Interests

We have no competing interests.

430 Authors' Contributions

Conceived the project: all

Performed the analysis: MS

Wrote the article: all

References

- 435 Abbate, J. L., C. L. Murall, H. Richner and C. L. Althaus. 2016. Potential Impact of Sexual
Transmission on Ebola Virus Epidemiology: Sierra Leone as a Case Study. *PLoS Negl Trop Dis*
10(5):1–15.
- Ali, H., B. Dumbuya, M. Hynie, P. Idahosa, R. Keil and P. Perkins. (2016). The Social and
Political Dimensions of the Ebola Response: Global Inequality, Climate Change, and Infectious
440 Disease, Pages 151–169 *in* W. Leal Filho, M. U. Azeiteiro and F. Alves, eds. *Climate Change and*
Health: Improving Resilience and Reducing Risks, Springer International Publishing, Switzer-
land, pp. 151–169.
- Alizon, S. and M. van Baalen. 2005. Emergence of a convex trade-off between transmission and
virulence. *Am. Nat.* 165(6):E155–E167.
- 445 Alizon, S. and Y. Michalakis. 2015. Adaptive virulence evolution: the good old fitness-based
approach. *Trends Ecol Evol* 30(5):248–254.
- Alizon, S., V. von Wyl, T. Stadler, R. D. Kouyos, S. Yerly, B. Hirschel, J. Böni, C. Shah,
T. Klimkait, H. Furrer, A. Rauch, P. Vernazza, E. Bernasconi, M. Battegay, P. Bürgisser,
A. Telenti, H. F. Günthard, S. Bonhoeffer and the Swiss HIV Cohort Study. 2010. Phylogenetic
450 approach reveals that virus genotype largely determines HIV set-point viral load. *PLoS Pathog.*
6(9):e1001123.
- Anderson, R. M. and R. M. May. 1981. The Population Dynamics of Microparasites and Their
Invertebrate Hosts. *Phil. Trans. R. Soc. Lond. B* 291(1054):451–524.
- Bausch, D. G., J. S. Towner, S. F. Dowell, F. Kaducu, M. Lukwiya, A. Sanchez, S. T. Nichol,

- 455 T. G. Ksiazek and P. E. Rollin. 2007. Assessment of the risk of Ebola virus transmission from
bodily fluids and fomites. *J. Infect. Dis.* 196(S2):S142–S147.
- Berngruber, T. W., R. Froissart, M. Choisy and S. Gandon. 2013. Evolution of virulence in
emerging epidemics. *PLoS Pathog.* 9(3):e1003209.
- Boots, M. and A. Sasaki. 1999. ‘Small worlds’ and the evolution of virulence: infection occurs
460 locally and at a distance. *Proc. R. Soc. Lond. B* 266:1933–1938.
- Central Intelligence Agency (2016). *The World Factbook*.
- Chan, M. 2014. Ebola Virus Disease in West Africa - No Early End to the Outbreak. *N. Engl. J.*
Med. 371(13):1183–1185.
- Cousineau, S. V. and S. Alizon. 2014. Parasite evolution in response to sex-based host heterogeneity
465 in resistance and tolerance. *J Evol Biol* 27(12):2753–66.
- Crowe, S. J., M. J. Maenner, S. Kuah, B. R. Erickson, M. Coffee, B. Knust, J. Klena, J. Foday,
D. Hertz, V. Hermans et al. 2016. Prognostic indicators for Ebola patient survival. *Emerg.*
Infect. Dis. 22(2):217.
- Day, T. 2003. Virulence evolution and the timing of disease life-history events. *Trends Ecol. Evol.*
470 18(3):113–118.
- Day, T. and S. Gandon. (2006). Insights from Price’s equation into evolutionary epidemiology,
Pages 23–44 *in* Z. Feng, U. Dieckmann and S. A. Levin, eds. *Disease Evolution: Models, Concepts, and Data Analyses*, Vol. 71 of *DIMACS Series in Discrete Mathematics and Theoretical Computer Science*, American Mathematical Society, Providence, RI (USA), pp. 23–44.

- 475 Day, T. and S. R. Proulx. 2004a. A general theory for the evolutionary dynamics of virulence.
Am. Nat. 163(4):E40–E63.
- Day, T. and S. R. Proulx. 2004b. A general theory for the evolutionary dynamics of virulence.
Am. Nat. 163(4):E40–E63.
- de La Vega, M.-A., D. Stein and G. P. Kobinger. 2015. Ebolavirus evolution: past and present.
480 PLoS Pathog 11(11):e1005221.
- Deen, G. F., B. Knust, N. Broutet, F. R. Sesay, P. Formenty, C. Ross, A. E. Thorson, T. A.
Massaquoi, J. E. Marrinan, E. Ervin et al. 2015. Ebola RNA persistence in semen of Ebola virus
disease survivors – preliminary report. N. Engl. J. Med. PMID: 26465681.
- Dieckmann, U. 2002. Adaptive dynamics of pathogen-host interactions. Pages 39–59 *in* U. Dieck-
485 mann, J. A. J. Metz, M. W. Sabelis and K. Sigmund, eds. Adaptive dynamics of infectious
diseases: In pursuit of virulence management. Cambridge University Press.
- Dieckmann, U., Metz, J. A. J., Sabelis, M. W. and Sigmund, K., eds 2002. Adaptive dynamics of
infectious diseases. In pursuit of virulence management. Cambridge studies in adaptive dynamics,
Cambridge University Press, Cambridge, UK.
- 490 Diekmann, O., J. Heesterbeek and J. A. Metz. 1990. On the definition and the computation of
the basic reproduction ratio R_0 in models for infectious diseases in heterogeneous populations.
J. Math. Biol. 28(4):365–382.
- Eggo, R., C. Watson, A. Camacho, A. Kucharski, S. Funk and W. Edmunds. 2015. Duration of
Ebola virus RNA persistence in semen of survivors: population-level estimates and projections.
495 Eurosurveillance 20(48):30083.

- Feldmann, H. and T. W. Geisbert. 2011. Ebola haemorrhagic fever. *Lancet* 377(9768):849–862.
- Fraser, C., K. Lythgoe, G. E. Leventhal, G. Shirreff, T. D. Hollingsworth, S. Alizon and S. Bonhoeffer. 2014. Virulence and pathogenesis of HIV-1 infection: an evolutionary perspective. *Science* 343(6177):1243727.
- 500 Gagneux, S. 2012. Host-pathogen coevolution in human tuberculosis. *Philos. Trans. R. Soc. Lond. B* 367(1590):850–859.
- Gandon, S., M. E. Hochberg, R. D. Holt and T. Day. 2013. What limits the evolutionary emergence of pathogens? *Philos. Trans. R. Soc. Lond. B* 368:20120086.
- Geritz, S. A. H., E. Kisdi, G. Meszina and J. A. J. Metz. 1998. Evolutionarily singular strategies
505 and the adaptative growth and branching of the evolutionary tree. *Evol. Ecol.* 12:35–57.
- Herbeck, J. T., V. Müller, B. S. Maust, B. Ledergerber, C. Torti, S. Di Giambenedetto, L. Gras, H. F. Günthard, L. P. Jacobson, J. I. Mullins and G. S. Gottlieb. 2012. Is the virulence of HIV changing? A meta-analysis of trends in prognostic markers of HIV disease progression and transmission. *AIDS* 26(2):193.
- 510 Hurford, A., D. Cownden and T. Day. 2010. Next-generation tools for evolutionary invasion analyses. *J. R. Soc. Interface* 7(45):561–71.
- Keeling, M. J. and P. Rohani. 2008. *Modeling infectious diseases in humans and animals*. Princeton University Press.
- Kupferschmidt, K. 2014. Imagining Ebola’s next move. *Science* 346(6206):151–152.
- 515 Leander, R., W. Goff, C. Murphy and S. Pulido. 2016. Modelling Ebola within a community. *Epidemiol. Infect.* 144(11):2329–2337.

- Legrand, J., R. F. Grais, P.-Y. Boelle, A. J. Valleron and A. Flahault. 2007. Understanding the dynamics of Ebola epidemics. *Epidemiol Infect* 135(4):610–21.
- Leroy, E. M., B. Kumulungui, X. Pourrut, P. Rouquet, A. Hassanin, P. Yaba, A. Délicat, J. T. Paweska, J.-P. Gonzalez and R. Swanepoel. 2005. Fruit bats as reservoirs of Ebola virus. *Nature* 438(7068):575–576.
- Leroy, E. M., S. Baize, V. E. Volchkov, S. P. Fisher-Hoch, M.-C. Georges-Courbot, J. Lansoud-Soukate, M. Capron, P. Debré, A. J. Georges and J. B. McCormick. 2000. Human asymptomatic Ebola infection and strong inflammatory response. *Lancet* 355(9222):2210–2215.
- Lion, S. and M. Boots. 2010. Are parasites ‘prudent’ in space? *Ecol. Lett.* 13(10):1245–1255.
- Lion, S. and M. van Baalen. 2008. Self-structuring in spatial evolutionary ecology. *Ecol. Lett.* 11(3):277–295.
- Mate, S. E., J. R. Kugelman, T. G. Nyenswah, J. T. Ladner, M. R. Wiley, T. Cordier-Lassalle, A. Christie, G. P. Schroth, S. M. Gross, G. J. Davies-Wayne et al. 2015. Molecular evidence of sexual transmission of Ebola virus. *N. Engl. J. Med.* 373(25):2448–2454.
- Méthot, P.-O. 2012. Why do parasites harm their host? On the origin and legacy of Theobald Smith’s ‘law of declining virulence’ – 1900-1980. *Hist. Phil. Life Sci.* 34(4):561–601.
- Miller, M. R., A. White and M. Boots. 2006. The evolution of parasites in response to tolerance in their hosts: the good, the bad, and apparent commensalism. *Evolution* 60(5):945–56.
- Nyenswah, T. G., F. Kateh, L. Bawo, M. Massaquoi, M. Gbanyan, M. Fallah, T. K. Nagbe, K. K. Karsor, C. S. Wesseh, S. Sieh et al. 2016. Ebola and its control in Liberia, 2014-2015. *Emerg. Infect. Dis.* 22(2):169.

- Osterholm, M. T., K. A. Moore, N. S. Kelley, L. M. Brosseau, G. Wong, F. A. Murphy, C. J. Peters, J. W. LeDuc, P. K. Russell, M. Van Herp et al. 2015. Transmission of Ebola viruses: what we know and what we do not know. *MBio* 6(2):e00137–15.
- Otto, S. P. and T. Day. 2007. A biologist’s guide to mathematical modeling in ecology and evolution. Vol. 13, Princeton University Press.
- Power, R. A., J. Parkhill and T. de Oliveira. 2017. Microbial genome-wide association studies: lessons from human GWAS. *Nat Rev Genet* 18(1):41–50.
- Prescott, J., T. Bushmaker, R. Fischer, K. Miazgowicz, S. Judson and V. J. Munster. 2015. Postmortem stability of Ebola virus. *Emerg. Infect. Dis.* 21(5):856–9.
- Sobarzo, A., D. E. Ochayon, J. J. Lutwama, S. Balinandi, O. Guttman, R. S. Marks, A. I. Kuehne, J. M. Dye, V. Yavelsky, E. C. Lewis et al. 2013. Persistent immune responses after Ebola virus infection. *N. Engl. J. Med.* 369(5):492–493.
- Svenningsen, T. O. and E. Kisdi. 2009. Evolutionary branching of virulence in a single infection model. *J. theor. Biol.* 257:408–418.
- Thorson, A., P. Formenty, C. Lofthouse and N. Broutet. 2016. Systematic review of the literature on viral persistence and sexual transmission from recovered Ebola survivors: evidence and recommendations. *BMJ Open* 6(1):e008859.
- Towner, J. S., P. E. Rollin, D. G. Bausch, A. Sanchez, S. M. Crary, M. Vincent, W. F. Lee, C. F. Spiropoulou, T. G. Ksiazek, M. Lukwiya et al. 2004. Rapid diagnosis of Ebola hemorrhagic fever by reverse transcription-PCR in an outbreak setting and assessment of patient viral load as a predictor of outcome. *J. Virol.* 78(8):4330–4341.

- Urbanowicz, R. A., C. P. McClure, A. Sakuntabhai, A. A. Sall, G. Kobinger, M. A. Müller, E. C.
560 Holmes, F. A. Rey, E. Simon-Loriere and J. K. Ball. 2016. Human adaptation of Ebola virus
during the West African outbreak. *Cell* 167(4):1079–1087.
- Uyeki, T. M., A. K. Mehta, R. T. Davey Jr, A. M. Liddell, T. Wolf, P. Vetter, S. Schmiedel,
T. Grünewald, M. Jacobs, J. R. Arribas et al. 2016. Clinical management of Ebola virus disease
in the United States and Europe. *N Engl J Med* 374(7):636–646.
- 565 Weitz, J. S. and J. Dushoff. 2015. Modeling post-death transmission of Ebola: challenges for
inference and opportunities for control. *Sci. Rep.* 5:8751.
- World Health Organization (2016). WHO: Ebola situation report - 30 March 2016.
- World Health Organization Ebola Response Team 2014. Ebola virus disease in West Africa—the
first 9 months of the epidemic and forward projections. *N Engl J Med* 371(16):1481–95.
- 570 World Health Organization Ebola Response Team 2015. West African Ebola epidemic after one
year – slowing but not yet under control. *N Engl J Med* 2015(372):584–587.

Table 1: **Parameter list, description and default values.**

See the main text for further details about the calibration of the transmission constants. Note that the sexual transmission constant is higher because it involves frequency-dependent transmission. ind stands for individuals. When used in the main text or in the appendix, these estimated values are denoted by a hat.

Notation	Description	Default value	Reference or inference
λ	Host inflow	$2 \cdot 10^2 \text{ ind} \cdot \text{day}^{-1}$	such that $\lambda/\mu \approx 4 \cdot 10^6$, (Central Intelligence Agency, 2016)
μ	Host baseline mortality rate	$4.5 \cdot 10^{-5} \text{ day}^{-1}$	(Central Intelligence Agency, 2016)
b_I	Regular contact transmission (from infectious hosts) factor	$10^{-7} \text{ ind}^{-1} \cdot \text{day}^{-1}$	with the constrain $\mathcal{R}_{0,I} \approx 10 \mathcal{R}_{0,D}$, $\mathcal{R}_{0,I} \approx 10^2 \mathcal{R}_{0,C}$ and $\mathcal{R}_0 \approx 1.8$ (World Health Organization Ebola Response Team, 2014; Weitz and Dushoff, 2015; Abbate et al., 2016)
b_C	Sexual transmission (from convalescent hosts) factor	10^{-4} day^{-1}	
b_D	<i>Post mortem</i> transmission (from dead hosts) factor	$10^{-8} \text{ ind}^{-1} \cdot \text{day}^{-1}$	
ω	Inverse of latency period	10^{-1} day^{-1}	(World Health Organization Ebola Response Team, 2014)
α	Case fatality ratio	0.7	(World Health Organization Ebola Response Team, 2014)
γ	Inverse of symptomatic infectious period	0.25 day^{-1}	(Abbate et al., 2016)
θ	Unsafe burial proportion	0.25	(Nyenswah et al., 2016)
ε	Inverse of <i>post mortem</i> infectious period	10^{-1} day^{-1}	(Prescott et al., 2015)
σ	Elimination rate of convalescent hosts	10^{-2} day^{-1}	(Uyeki et al., 2016; Abbate et al., 2016)

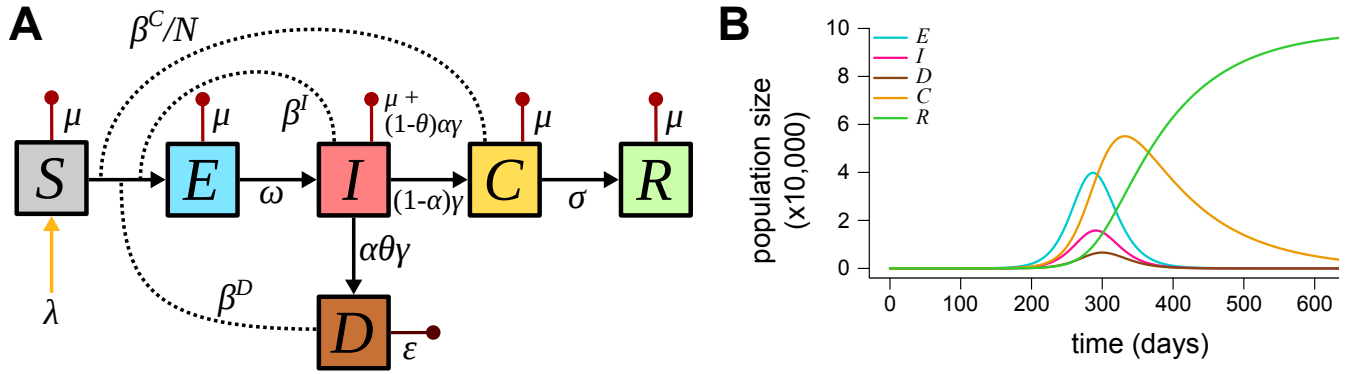


Figure 1: **Epidemiology of Ebola Virus in humans.** A) Epidemiological life cycle of Ebola Virus in humans and B) Population dynamics for default parameters. S, E, I, C, R and D are host densities that correspond to the following compartments: susceptible, exposed (infected but not yet infectious), symptomatic infected, convalescent, recovered (immunised) and dead bodies respectively. N is the total living population size. Lower-case letters are rate and flow parameters, the description of which is given in Table 1.

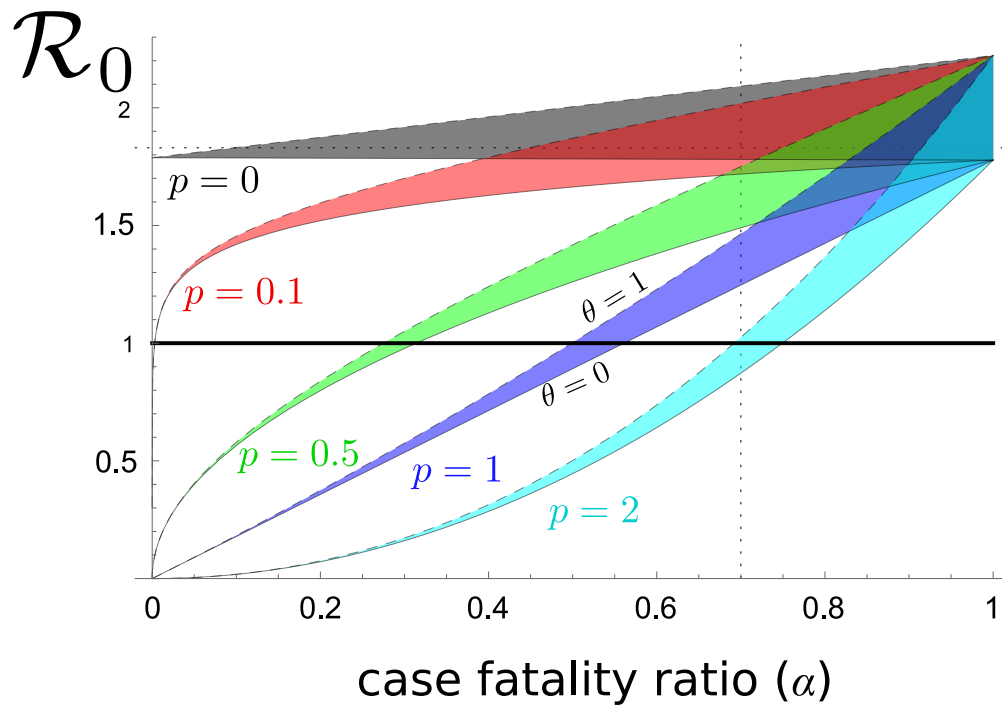


Figure 2: **Basic reproduction number as a function case fatality ratio (α), unsafe burial ratio and trade-off shape.**

Colors indicate five trade-off scenarios: absence ($p = 0$, in grey), very weak ($p = 0.1$, in red), concave ($p = 0.5$, in green), linear ($p = 1$, in dark blue), and convex ($p = 2$, in light blue). The width of the coloured regions corresponds to variations in the unsafe burial ratio from completely unsafe ($\theta = 1$, dashed upper bound) to completely safe ($\theta = 0$, solid lower bound). The intersection between the horizontal line and the colored areas indicates the range of α_{\min} for each scenario. The dotted gridlines show the α and \mathcal{R}_0 estimates from the literature. Other parameter values are in Table 1. See Supplementary Material D.4 for more details.

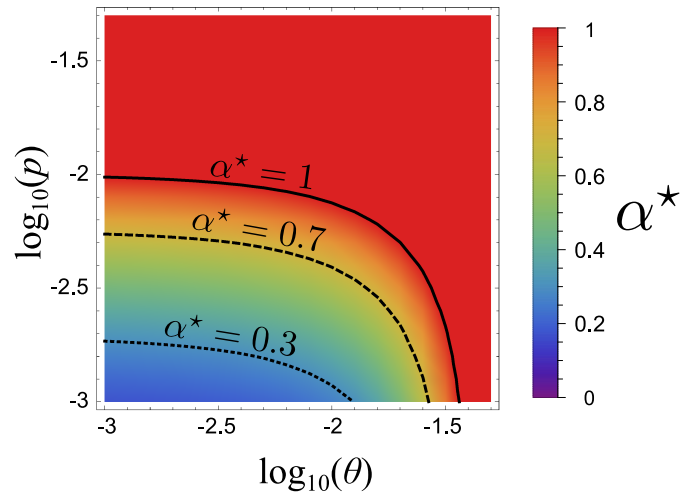


Figure 3: **Evolutionary stable virulence (α^*) as a function of unsafe burial ratio (θ) and trade-off exponent (p).**

The solid, dashed and dotted lines correspond to $\alpha^* = 1, 0.7$ and 0.3 respectively. Parameter values are shown in Table 1. See Supplementary Material D.4 for more details.

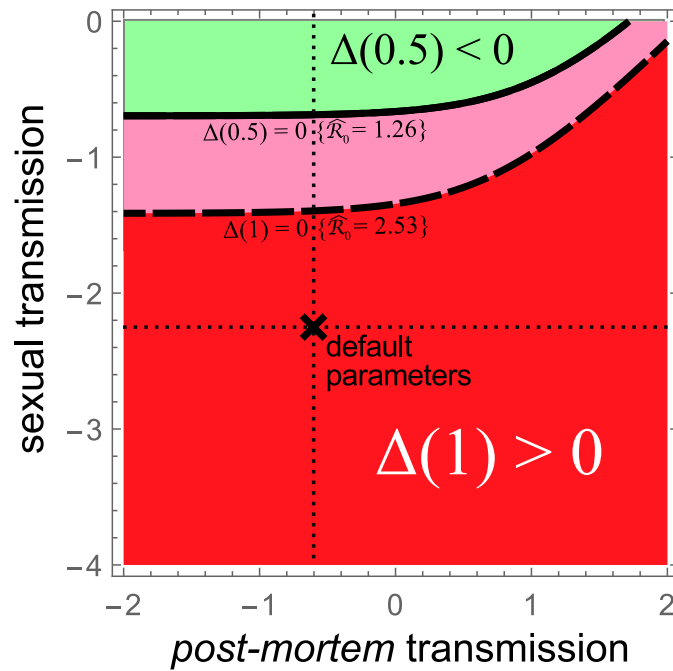


Figure 4: **Sensitivity analysis of long-term virulence evolution.**

The graphic shows the sign of the selection gradient for virulence when varying the relative weight (in orders of magnitude) of the *post-mortem* transmission component ($\log_{10}(\delta)$, on the x -axis) and the sexual transmission component ($\log_{10}(\kappa/S_0)$, on the y -axis) in the overall transmission of EBOV. When the basic reproduction number is set at its upper bound ($\widehat{\mathcal{R}}_0 = 2.53$, dashed line), the selection gradient at the maximum virulence ($\alpha = 1$) is positive below the dashed line (red area). When the basic reproduction number is set at its lower bound ($\widehat{\mathcal{R}}_0 = 1.26$, plain line), the selection gradient is also positive for a range of virulence higher than one half ($\alpha \geq 50\%$) in the pink area. It is negative for lower virulences ($\alpha < 50\%$) above the dashed line (green area). The unsafe burial proportion and the trade-off exponent are low ($\theta = 0$ and $p = 0.1$). See Supplementary Material E for more details.

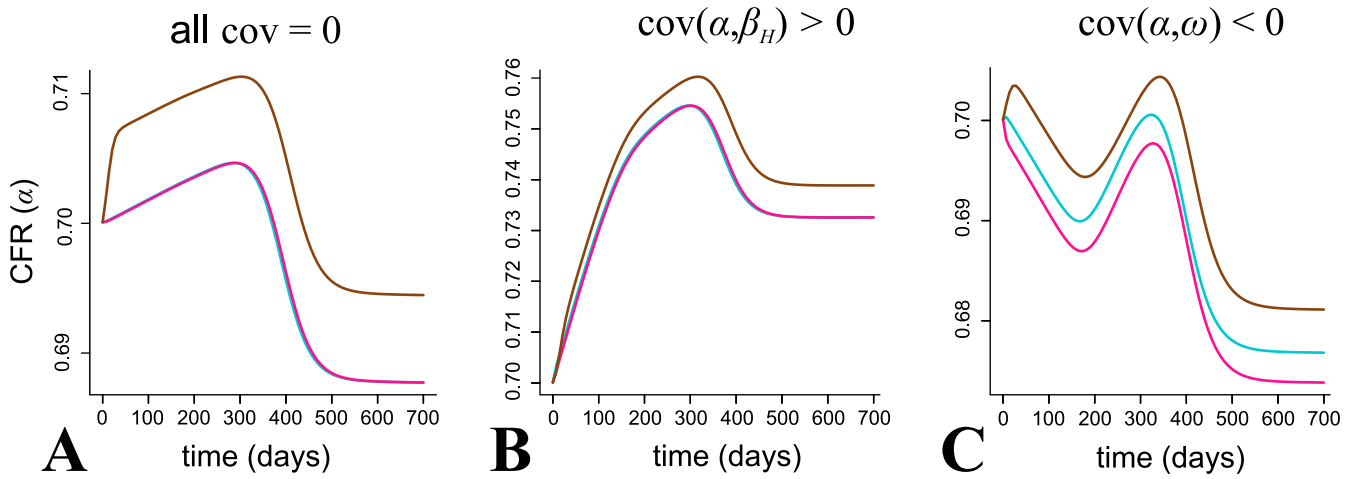


Figure 5: **Short-term evolution of CFR with standing genetic variation in three scenarios.**

A) Without correlations between traits, B) with a positive correlation between CRF and transmission rate and C) with a negative correlation between CRF and latency period. The CFR averaged over the exposed individuals ($\bar{\alpha}^E$) is depicted in cyan, over the symptomatic individuals ($\bar{\alpha}^I$) in pink and over the infectious dead bodies ($\bar{\alpha}^D$) in brown. Parameter values are shown in Table 1. See Supplementary Material G for details about the simulations.