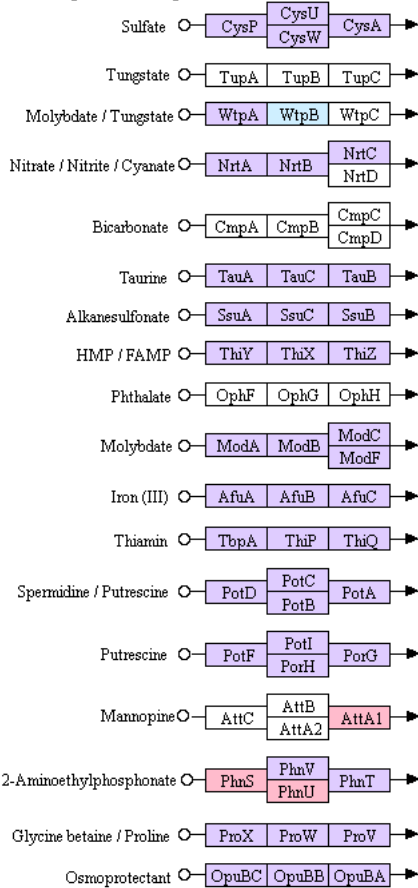
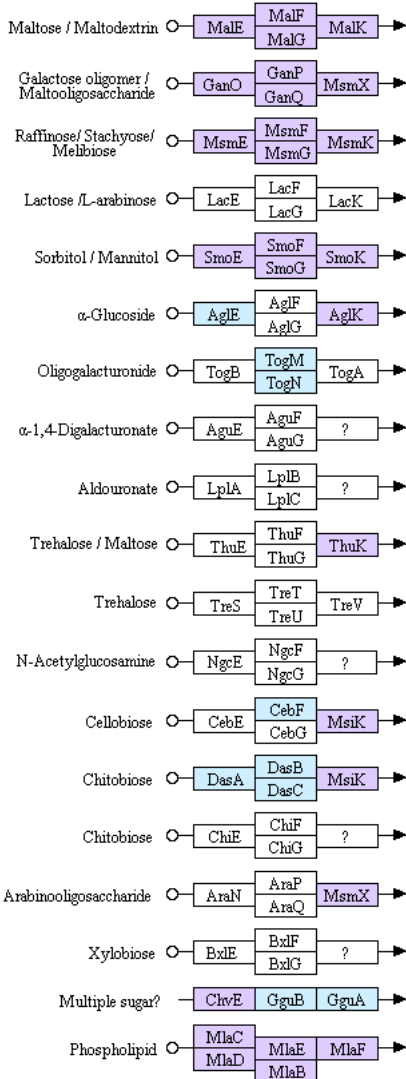


**Prokaryotic-type ABC transporters**

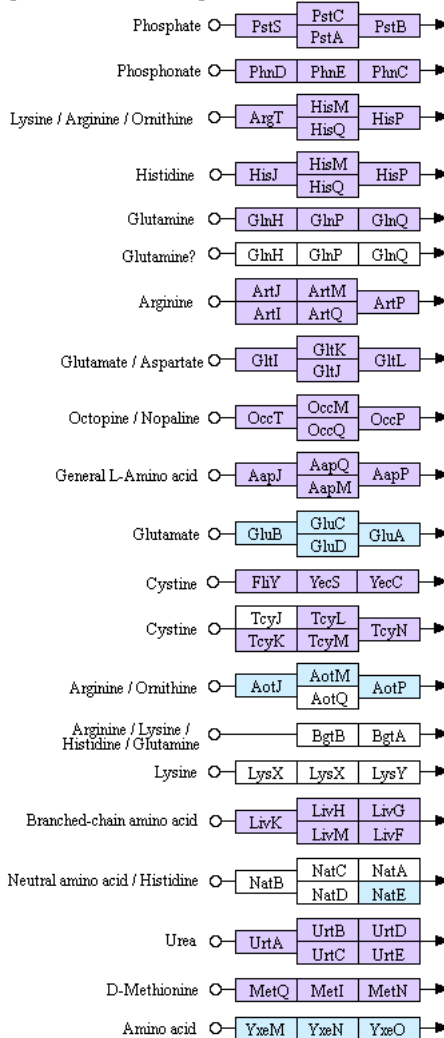
**Mineral and organic ion transporters**



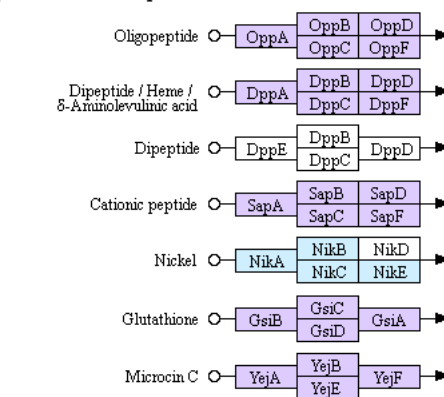
**Oligosaccharide, polyol, and lipid transporters**



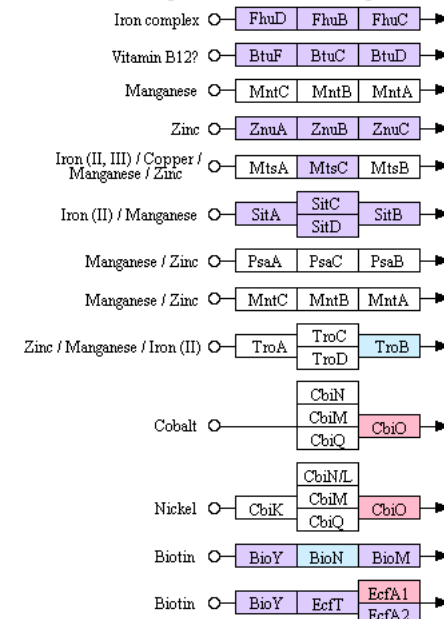
**Phosphate and amino acid transporters**



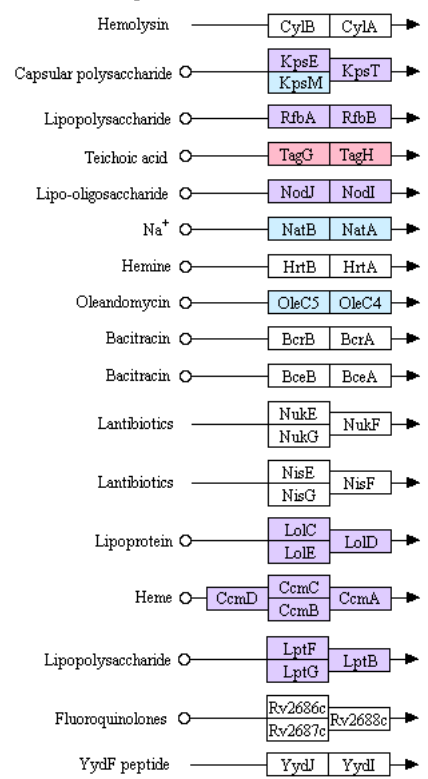
**Peptide and nickel transporters**



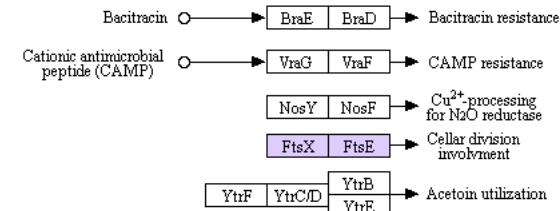
**Metallic cation, iron-siderophore and vitamin B12 transporters**



**ABC-2 and other transporters**



**ABC-2 -type components without transporting function**



**Monosaccharide transporters**

